

Jacks, Couplers, Hitches

A-frame jacks are for use with A-frame couplers in both bolt-on and weld-on applications.

TOPWIND A-FRAME JACKS – BULLDOG

Part #	Lift Capacity	Lift	Description	Bracket Height Retracted (Dim. A)	Bracket Height Extended (Dim. B)
155300	1,000 lbs. (2K w/o caster)	15"	Comes with removable steel caster (caster replacement # 018507)	12.00"	27.00"
155022	2,000 lbs. (500 w/ caster)	15"	Accepts a foot or caster (foot # 018173, caster # 017125)*	8.40"	23.40"
155033	2,000 lbs. (1K w/ caster)	15"	Accepts a foot or caster (foot # 018173, caster # 017125)*	5.40"	20.40"
155100	2,000 lbs.	15"	Comes with a disc foot welded on	7.50"	22.50"
155015	2,000 lbs.	15"	Accepts a foot (foot # 018173)*	7.50"	22.50"
155032	5,000 lbs. (1K w/ caster)	15"	Accepts a foot or caster (foot # 018173, caster # 017125)*	10.15"	25.15"
175000	5,000 lbs.	15"	Accepts a foot (foot # 018173)*	12.25"	27.25"
175020	5,000 lbs.	15"	Accepts a foot (foot # 018173)*	10.7"	25.7"

*Note: 018173 is not held in place with a pin and must be removed when jack is retracted.

Designed for mounting on A-frame trailer couplers, Atwood's topwind A-frame jacks are available with or without a mounting bracket – for bolt-on or weld-on applications. Jack feet and casters sold separately.

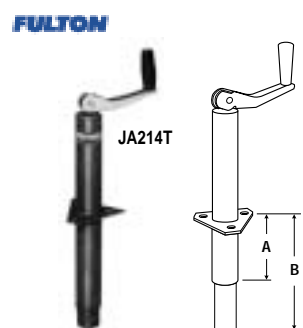
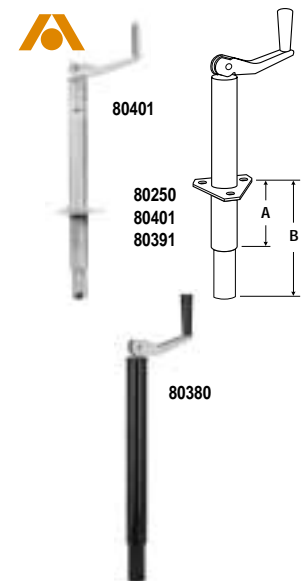
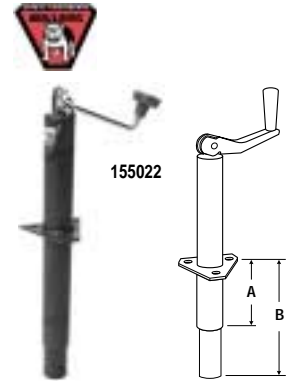
TOPWIND A-FRAME JACKS – ATWOOD

Part #	Lift Capacity	Lift	Description	Bracket Height Retracted (Dim. A)	Bracket Height Extended (Dim. B)
80250	1,000 lbs.	15"	Accepts a caster (caster # 80521)	8.625"	23.750"
80401	2,000 lbs.	15.250"	Accepts a foot or caster (foot # 82650 or 82660-A, caster # 80552)	9"	24.250"
80380	5,000 lbs.	13.750"	No bracket, accepts a foot or caster (foot # 82650 or 82660-A, caster # 80552)	21.625" (due to no bracket, dimension stated is overall retracted height)	35.750" (due to no bracket, dimension stated is overall extended height)
80391	5,000 lbs.	14.125"	Accepts a foot or caster (foot # 82650 or 82660-A, caster # 80552)	11"	25.125"

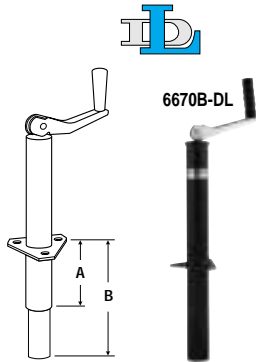
Fulton's topwind jacks are A-frame jacks that can be either bolted or welded on. Casters, disc feet and mounting brackets are sold separately.

TOPWIND A-FRAME JACKS – FULTON

Part #	Lift Capacity	Lift	Description	Bracket Height Retracted (Dim. A)	Bracket Height Extended (Dim. B)
JA214T	2,000 lbs.	14"	Accepts a foot or caster (foot # F2000, caster # CE555)	8.25"	22.25"
JA514T	5,000 lbs.	14"	Accepts a foot or caster (foot # F2000, caster # CE555)	9.25"	23.25"
JA104T	1,000 lbs.	14"	Accepts a foot or caster (foot # F1000, caster # CE111)	7.25"	21.25"
35TP15F	3,500 lbs.	15"	Square, no bracket, with foot welded on	20" (due to no bracket, dimension stated is overall retracted height)	35" (due to no bracket, dimension stated is overall extended height)
50TP15F	5,000 lbs.	15"	Square, no bracket, with foot welded on	20" (due to no bracket, dimension stated is overall retracted height)	35" (due to no bracket, dimension stated is overall extended height)

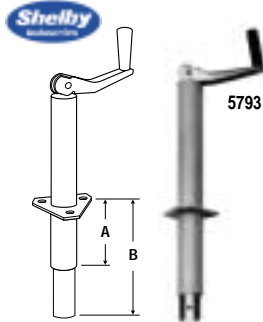


Jacks Couplers Hitches



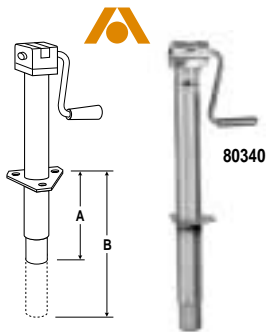
TOPWIND A-FRAME JACKS – DUTTON-LAINSON					
Part #	Lift Capacity	Lift	Description	Bracket Height Retracted (Dim. A)	Bracket Height Extended (Dim. B)
6670B-DLOW	2,000 lbs.	15"	Accepts a foot or caster (foot # 6614-DL caster # 6613-DL)	8.75"	23.75"
6670B-DL	2,000 lbs.	15"	With support plate, accepts a foot or caster (foot # 6614-DL caster # 6613-DL)	8.50"	23.50"
6671B-DLOW	5,000 lbs.	15"	Accepts a foot or caster (foot # 6614-DL caster # 6613-DL)	10.00"	25.00"
6671B-DL	5,000 lbs.	15"	With support plate, accepts a foot or caster (foot # 6614-DL caster # 6613-DL)	12.25"	27.25"

Shelby A-frame jacks are engineered tough to be interchangeable with all brand-name A-frame couplers. These jacks feature a 5-gauge reinforced mounting plate.



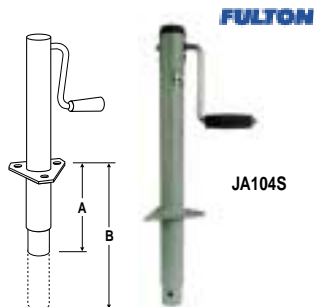
TOPWIND A-FRAME JACKS – SHELBY					
Part #	Lift Capacity	Lift	Description	Bracket Height Retracted (Dim. A)	Bracket Height Extended (Dim. B)
5791	1,200 lbs.	15"	Accepts a foot or caster (foot # 2998-11, caster # 2997-11)	7.0"	19.10"
5793	2,000 lbs.	15"	Accepts a foot or caster (foot # 2998-11, caster # 2997-11)	8.5"	19.10"

Like the topwind models, the sidewind A-frame jack's triangular mounting bracket provides for easy bolt-on or weld-on mounting through an A-frame mounted coupler.



SIDEWIND A-FRAME JACKS – ATWOOD					
Part #	Lift Capacity	Lift	Description	Bracket Height Retracted (Dim. A)	Bracket Height Extended (Dim. B)
80311	1,000 lbs.	10"	No bracket, accepts a caster (caster # 80521 or #83300)	20.385" (due to no bracket, dimension stated is overall retracted height)	34.125" (due to no bracket, dimension stated is overall extended height)
80340	1,000 lbs.	15.385"	Accepts a caster (caster # 80521)	8.625"	24"
81041	2,000 lbs.	14"	Accepts a foot or caster (foot # 82650, caster # 80552)	9.125"	23.125"
81141	2,000 lbs.	15"	No bracket, accepts a caster (caster # 80521)	23.125" (due to no bracket, dimension stated is overall retracted height)	37.125" (due to no bracket, dimension stated is overall extended height)

Rolled Acme threads and anti-friction thrust bearings provide smooth cranking and long cycle life for Fulton's A-frame jacks.

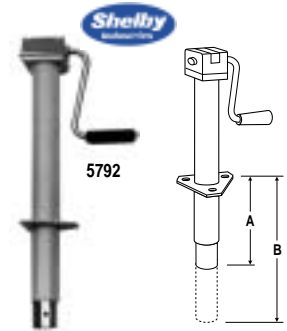


SIDEWIND A-FRAME JACKS – FULTON						
Part #	Lift Capacity	Lift	Description	Zinc-Plated	Bracket Height Retracted (Dim. A)	Bracket Height Extended (Dim. B)
JA104S	1,000 lbs.	14"	Accepts a foot or caster (foot # F1000, caster # CE111)	No	7.50"	22.50"
JA214S	2,000 lbs.	14"	Accepts a foot or caster (foot # F2000, caster # CE555)	No	8.50"	22.50"
JA314S	3,000 lbs.	14"	Accepts a foot or caster (foot # F2000, caster # CE555)	Yes	7"	21"
35SP15F	3,500 lbs.	15"	Square, no bracket, with foot welded on	No	20" (due to no bracket, dimension stated is overall retracted height)	35" (due to no bracket, dimension stated is overall extended height)

Jacks Couplers Hitches

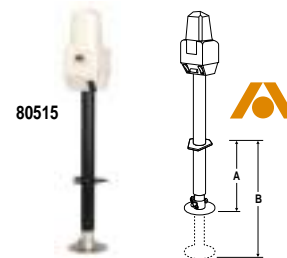
Shelby's A-frame jacks are engineered tough, and are interchangeable with all brand-name A-frame couplers.

SIDEWIND A-FRAME JACKS – SHELBY					
Part #	Lift Capacity	Lift	Description	Bracket Height Retracted (Dim. A)	Bracket Height Extended (Dim. B)
5790	1,000 lbs.	1550"	Accepts a foot or caster (foot # 2998-11, caster # 2997-11)	7.50"	23"
5792	2,000 lbs. (1.2K w/ caster)	1550"	Accepts a foot or caster (foot # 2998-11, caster # 2997-11)	8.50"	24"



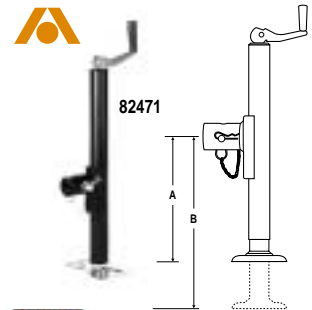
Atwood's power jack makes positioning a trailer easy. The convenience of push button operation takes the physical exertion out of cranking a trailer up or down.

POWER JACK – ATWOOD					
Part #	Lift Capacity	Lift	Fits Coupler Size	Bracket Height Retracted (Dim. A)	Bracket Height Extended (Dim. B)
80515	2,500 lbs.	14.385"	2 $\frac{5}{16}$ "	10.125"	24.50"



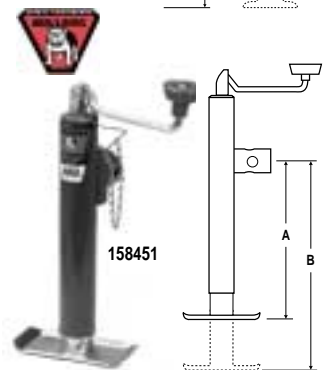
These jacks are primarily used in industrial and agricultural applications. Pipe-mount swivel jacks are specially designed for those demanding situations to give superior side-load stability. The pipe swivel design allows the jacks to be secured parallel with the tongue or removed when not in use.

TOPWIND SWIVEL PIPE-MOUNT JACKS – ATWOOD				
Part #	Lift Capacity	Lift	Bracket Height Retracted (Dim. A)	Bracket Height Extended (Dim. B)
80459	2,000 lbs.	10"	11.625"	21.625"
81264	2,000 lbs.	15.125"	11"	26.125"
81353	2,000 lbs.	15.625"	15"	30.625"
82471	5,000 lbs.	14.750"	11"	25.750"

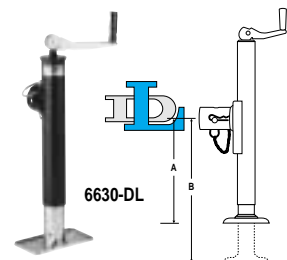


The Bulldog design is uniquely suited for all industrial and agricultural applications. These jacks come complete with mounting brackets.

TOPWIND SWIVEL PIPE-MOUNT JACKS – BULLDOG				
Part #	Lift Capacity	Lift	Bracket Height Retracted (Dim. A)	Bracket Height Extended (Dim. B)
158451	2,000 lbs.	10"	11.250"	21.250"
158452	2,000 lbs.	15"	14.50"	29.50"
178101	5,000 lbs.	10"	11.250"	21.250"
178151	5,000 lbs.	15"	14.50"	29.50"
198100	7,000 lbs.	10"	10"	20"
198200	7,000 lbs.	15"	15"	30"



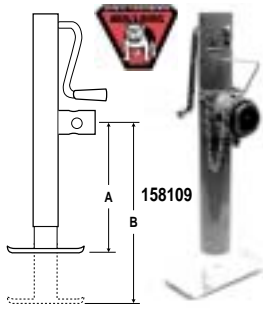
TOPWIND SWIVEL PIPE-MOUNT JACKS – DUTTON-LAINSON				
Part #	Lift Capacity	Lift	Bracket Height Retracted (Dim. A)	Bracket Height Extended (Dim. B)
6630-DL	2,000 lbs.	10"	11"	21"
6633-DL	2,000 lbs.	15"	15"	30"



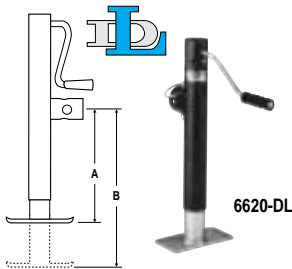
SIDEWIND SWIVEL PIPE-MOUNT JACKS – ATWOOD				
Part #	Lift Capacity	Lift	Bracket Height Retracted (Dim. A)	Bracket Height Extended (Dim. B)
82332	2,000 lbs.	10"	11.625"	21.625"

Jacks, Capers, Hitches

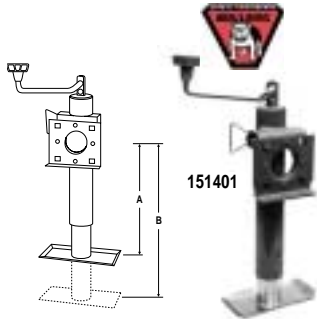
For industrial and agricultural applications Bulldog sidewind swivel pipe-mount jacks are available in capacities from 2,000 to 7,000 lbs. Jacks come complete with mounting brackets. The sidewind design allows for additional clearance.



SIDEWIND SWIVEL PIPE-MOUNT JACKS – BULLDOG				
Part #	Lift Capacity	Lift	Bracket Height Retracted (Dim. A)	Bracket Height Extended (Dim. B)
158109	2,000 lbs.	10"	11.250"	21.250"
158151	2,000 lbs.	15"	14.50"	29.50"
178201	5,000 lbs.	10"	10"	20"
178203	5,000 lbs.	15"	15"	30"
198150	7,000 lbs.	10"	10.750"	20.750"
198250	7,000 lbs.	15"	15.750"	30.750"



SIDEWIND SWIVEL PIPE-MOUNT JACKS – DUTTON-LAINSON				
Part #	Lift Capacity	Lift	Bracket Height Retracted (Dim. A)	Bracket Height Extended (Dim. B)
6620-DL	2,000 lbs.	10"	11"	21"
6623-DL	2,000 lbs.	15"	15"	30"

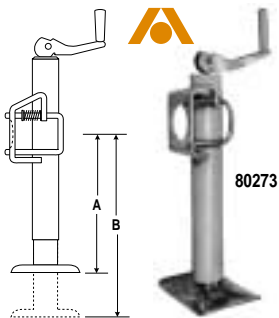


Bulldog's topwind swivel jacks have a retaining ring-style swivel. They include the weld-on bracket to attach to the trailer tongue.

TOPWIND SWIVEL SNAP-RING MOUNT JACKS – BULLDOG				
Part #	Lift Capacity	Lift	Bracket Height Retracted (Dim. A)	Bracket Height Extended (Dim. B)
151401	2,000 lbs.	10"	11.250"	21.250"
151421	2,000 lbs.	15"	14.50"	29.50"
171401	5,000 lbs.	10"	11.250"	21.250"

Note: The extended and retracted height measurements refer to the distance from the ground to the bottom of the swivel bracket.

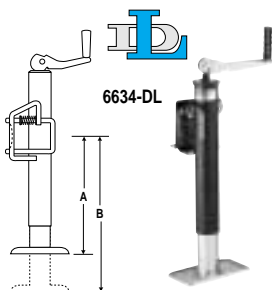
These Atwood jacks swing parallel with the tongue in either direction to provide out-of-the-way storage. A spring-loaded lockpin secures the jack in either position.



TOPWIND SWIVEL SNAP-RING MOUNT JACKS – ATWOOD				
Part #	Lift Capacity	Lift	Bracket Height Retracted (Dim. A)	Bracket Height Extended (Dim. B)
80273	1,000 lbs.	10"	11.625"	21.750"
80294	1,000 lbs.	15.125"	14.785"	30"
80452	2,000 lbs.	10.125"	11.625"	21.750"
80453*	2,000 lbs.	10.125"	11.625"	21.750"

Note: The 80453 ships with the 80580 weld-on bracket attached.

These jacks include mounting bracket and snap ring.



TOPWIND SWIVEL SNAP-RING MOUNT JACKS – DUTTON-LAINSON				
Part #	Lift Capacity	Lift	Bracket Height Retracted (Dim. A)	Bracket Height Extended (Dim. B)
6631-DL	2,000 lbs.	10"	11"	21"
6634-DL	2,000 lbs.	15"	15"	30"

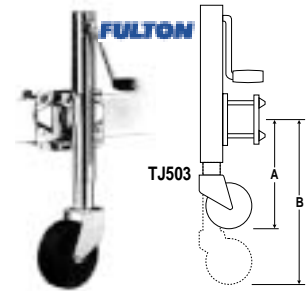
SIDEWIND SWIVEL SNAP-RING MOUNT JACKS – BULLDOG				
Part #	Lift Capacity	Lift	Bracket Height Retracted (Dim. A)	Bracket Height Extended (Dim. B)
151101	2,000 lbs.	10"	11.250"	21.250"

Jacks, Caster Hitches

These sidewind jacks fit 2" x 3" through 3" x 5" tongue sizes. Includes a 6" reinforced poly wheel. Available with or without a bolt-on bracket attachment.

MARINE SWIVEL MOUNT JACKS – FULTON

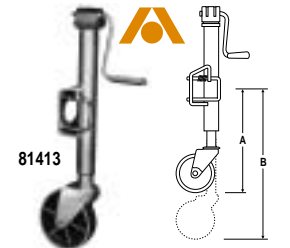
Part #	Lift Capacity	Lift	Description	Bracket Height Retracted (Dim. A)	Bracket Height Extended (Dim. B)
TJ503	800 lbs.	10"	Bolt-on version (comes with mounting bracket)	12.7"	22.7"
TJ507	800 lbs.	10"	Weld-on version (use weld-on bracket # P20510-00, snap ring # 015904)	12.7"	22.7"
TJ1055	1,000 lbs.	10"	Bolt-on version (comes with mounting bracket)	15.3"	25.3"



Atwood double lock pin swivel jacks have been designed and tested to service a wide variety of markets. The 81413 is zinc-plated and comes with a caster.

MARINE SWIVEL MOUNT JACK – ATWOOD

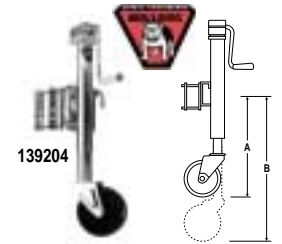
Part #	Lift Capacity	Lift	Description	Bracket Height Retracted (Dim. A)	Bracket Height Extended (Dim. B)
81413	800 lbs.	10.125"	Bolt-on or weld-on (use bolt-on bracket # 81421, weld-on bracket # 80580)	12.785"	23"
83171	1,000 lbs.	14.125"	Bolt-on or weld-on (use bolt-on bracket # 81421, weld-on bracket # 80580)	11.125"	25.385"



Hammerblow's popular bolt-on swivel jack 139204 will fit up to 3" x 4" tongues. Its easy-rolling 6" poly wheel won't crack or chip. Mounting hardware supplied.

MARINE SWIVEL MOUNT JACK – BULLDOG

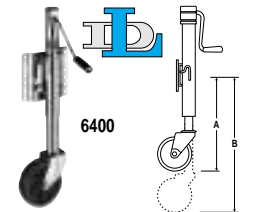
Part #	Lift Capacity	Lift	Description	Bracket Height Retracted (Dim. A)	Bracket Height Extended (Dim. B)
139204	800 lbs.	10"	Bolt-on jack	13.3"	23.3"
159204	1000 lbs.	10"	Bolt-on jack	13.3"	23.3"



This sidewind Dutton-Lainson swivel mount jack is a real back saver. Fits square tongues up to 3" x 5". Zinc-plated. Mounting hardware supplied.

MARINE SWIVEL MOUNT JACK – DUTTON-LAINSON

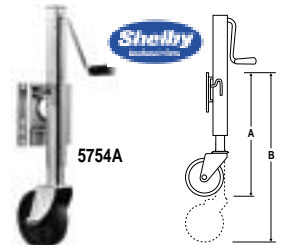
Part #	Lift Capacity	Lift	Description	Bracket Height Retracted (Dim. A)	Bracket Height Extended (Dim. B)
6400	800 lbs.	10"	Bolt-on jack	12.625"	22.625"



Shelby's swivel jacks are designed with an expanded tube for large miter gears. Includes a 6" polyolefin wheel. Fits tongues up to 3" x 5". All mounting hardware is included.

MARINE SWIVEL MOUNT JACK – SHELBY

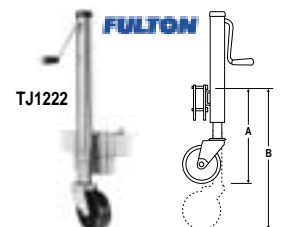
Part #	Lift Capacity	Lift	Description	Bracket Height Retracted (Dim. A)	Bracket Height Extended (Dim. B)
5754A	750 lbs.	10"	Bolt-on jack	14.50"	25"
5756A	750 lbs.	10"	Weld-on jack	14.50"	25"



Fulton's fixed-mount jack gives sturdy tongue lift for large trailers. Features a zinc-plated tube and heavy-duty caster. Fits tongues up to 3" x 5". Mounting hardware supplied.

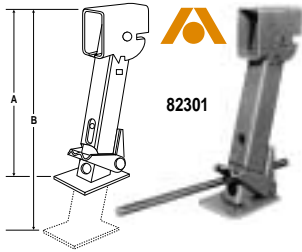
MARINE FIXED MOUNT JACKS – FULTON

Part #	Lift Capacity	Lift	Description	Bracket Height Retracted (Dim. A)	Bracket Height Extended (Dim. B)
TJ1222	1,200 lbs.	14.785"	Bolt-on version	10.385"	25.250"



Jacks, Couplers, Hitches

Designed for ease of use, stabilizer jacks provides a practical means for leveling or stabilizing lightweight trailers of all types. Both jacks include handle.



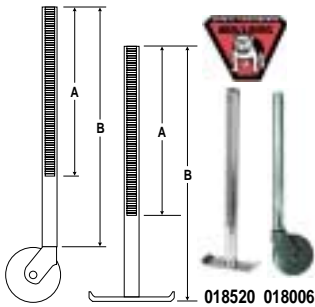
STABILIZER JACK – ATWOOD				
Part #	Lift Capacity	Static Capacity	Total Height Retracted (Dim. A)	Total Height Extended (Dim. B)
82301	650 lbs.	1,000 lbs.	11.50"	17.750"
82297	650 lbs.	1,000 lbs.	15.50"	21.750"

The leveling stabilizer jack is designed to level and stabilize the front and rear of all recreational vehicles by reducing the amount of suspension free-play when parked for camping.



SCISSOR JACK				
Part #	Item	Capacity	Lift	Retracted Height
24011	Stabilizer jack only	5,000 lbs.	11.50"	17.750"
24033	Replacement crank handle			

Rack posts provide travel distances greater than that of screw jacks. They operate easily and with twice the travel speed of conventional screw jacks.



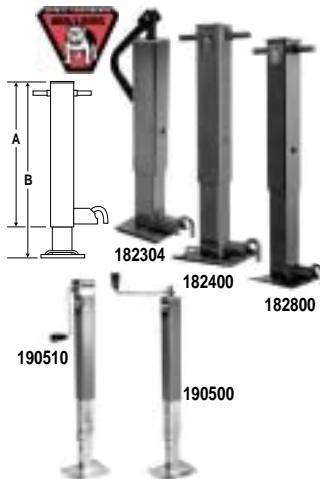
RACK POSTS – BULLDOG				
Part #	Rack Height (Dim. A)	Post Height (Dim. B)	Capacity	Description
018006	18"	21"	750 lbs.	With steel wheel
018007	18"	21"	750 lbs.	With poly wheel
019060	18"	21"	1,200 lbs.	With steel wheel
018520	18"	23.50"	750 lbs.	With disc foot

Hammerblow's gearboxes are available in a variety of mounting styles.



GEARBOXES – BULLDOG		
Part #	Description	Capacity
161	With L-shaped bracket, welds to bottom and side of tongue	750 lbs.
161S	With L-shaped swivel-mount bracket	750 lbs.
165	With A-frame mount, welds or bolts to an A-frame coupler, top mount	750 lbs.
019141	With A-frame mount, welds or bolts to an A-frame coupler, top mount	1,200 lbs.
167	With round tubing bracket	750 lbs.
169	With bolt-on adjustable clamping bolts, fits up to a 3" x 5" tongue	750 lbs.

Dropleg jacks have a telescoping leg that extends to the ground. The spring return option automatically returns the dropleg to traveling position. Handle included.



HEAVY DUTY DROPLEG JACKS - BULLDOG						
Part #	Lift Capacity	Static Capacity	Retracted (Dim. A)	Extended (Dim. B)	Style	Spring Return
190500	7,000 lbs.	7,000 lbs.	20.7"	49.2"	Topwind	No
190510	7,000 lbs.	7,000 lbs.	23"	51.5"	Sidewind	No
182304	10,000 lbs.	12,000 lbs.	22.75"	48.75"	Topwind	No
182400	10,000 lbs.	12,000 lbs.	27"	53"	Sidewind	No
182800	10,000 lbs.	12,000 lbs.	27"	53"	Sidewind	Yes

Jacks, Capers, Hitches

Fulton dropleg jacks are convenient where a full size dropleg might be impractical because of size. This jack has a 2 1/2" square inner leg and drop section.

HEAVY DUTY DROPLEG JACKS - FULTON

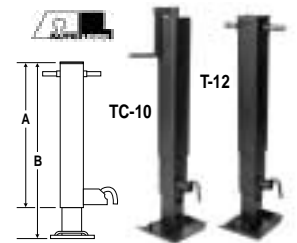
Part #	Lift Capacity	Static Capacity	Retracted (Dim. A)	Extended (Dim. B)	Style	Spring Return
70TP28F	4,000 lbs.	7,000 lbs.	22"	51"	Topwind	No
70SP28F	4,000 lbs.	7,000 lbs.	22"	51"	Sidewind	No



Auto-lock's heavy duty dropleg jacks feature a lockout pull pin for easy dropleg retraction and bronze bushings on the shaft and screw. Handle included.

HEAVY DUTY DROPLEG JACKS - AUTO-LOCK

Part #	Lift Capacity	Static Capacity	Retracted (Dim. A)	Extended (Dim. B)	Style	Spring Return
TC-10	10,000 lbs.	15,000 lbs.	27"	47"	Topwind	No
T-12	12,000 lbs.	15,000 lbs.	27"	51"	Sidewind	No



All Binkley jacks feature high strength steel construction, ductile iron gears, massive pull handles for ease of operation and a full 1/4" plate steel foot. Binkley's heavy-duty dropleg jacks are available with a single or two-speed gearbox. They are also available as a set, with one single and one two-speed gearbox.

HEAVY DUTY DROPLEG JACKS - BINKLEY

Part #	Lift Capacity	Static Capacity	Retracted (Dim. A)	Extended (Dim. B)	Style	Spring Return
48000	10,000 lbs.	12,000 lbs.	24.5"	50"	Sidewind	No
48000SL	10,000 lbs.	12,000 lbs.	24.5"	50"	Sidewind	Yes
DUALPIN	12,500 lbs.	20,000 lbs.	24.375"	50.375"	Sidewind	No
DUALPIN-SL	12,500 lbs.	20,000 lbs.	24.375"	50.375"	Sidewind	Yes
LG-4700-31	6,500 lbs.	25,000 lbs.	29.785"	55.3"	One Speed	No
LG-4700-32	25,000 lbs.	25,000 lbs.	29.785"	55.3"	Two Speed	No
LG-4700-30	50,000 lbs.	50,000 lbs.	29.785"	55.3"	Set	No



DROPLEG JACKS ACCESSORIES

Part #	Description
015181	Sidewind crank assembly with hardware
CP42	Crank extension
005120	Retaining clip, for dropleg jacks 182800 and 182400



We stock both standard and heavy duty landing gear. The 26110 is a universal mount landing gear.

LANDING GEAR - BUTLER

Part #	Lift Capacity	Static Capacity	Retracted (Dim. A)	Extended (Dim. B)
LG-442	24,000 lbs.	24,000 lbs.	25"	47.5"
LG-482	36,000 lbs.	36,000 lbs.	25"	47.5"
26110	50,000 lbs.	180,000 lbs.	33.5"	50"



Jacks Casters Hitches

Jack feet are used to stabilize the jack when the trailer is parked.



JACK FEET					
Part #	Capacity	Application	Base Length	Base Width	Shaft Height
F2000	1,000 lbs.	Fulton 2" OD jacks	6"	4"	8"
2998-11	2,000 lbs.	Shelby 1 3/4" OD jacks	7.5"	4"	8.8125"
018173	5,000 lbs.	Bulldog 2" OD jacks	7.5"	3.875"	6.5"
82650	1,000 lbs.	Atwood 2" OD jacks	8"	4.750"	2.5"
82660-A	1,000 lbs.	Atwood 2" OD jacks	8"	4.750"	8.125"
6614-DL	5,000 lbs.	D-L 2" OD jacks	7"	4"	3"

Jack casters provide the ease of mobility to your trailer. Ideal for marine trailer applications



CASTERS					
Part #	Capacity	Application	Wheel Height	Wheel Width	Overall Height
80521	1,000 lbs.	Atwood 1.625" OD jacks	6"	1.5"	8.875"
80552	1,000 lbs.	Atwood 2" OD jacks	6"	2"	8.875"
83300	1,000 lbs.	Atwood 1.625" OD jacks	6"	2"	8.875"
CE111	1,000 lbs.	Fulton 1.625" OD jacks	6"	2"	8.5"
CE555	1,000 lbs.	Fulton 2" OD jacks	6"	2"	8.5"
017125	1,000 lbs.	Bulldog 2" OD jacks	6"	1.75"	9"
2997-11	1,200 lbs.	Shelby 1.75" OD jacks	6"	2"	8.5"
6613-DL	1,250 lbs.	D-L 2" OD jacks	6"	2.75"	9.5"

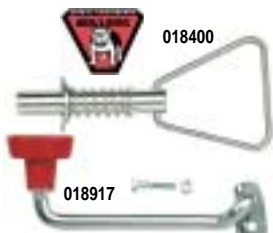
We have mounting brackets to fit whatever type of jack you have, including snap-ring and pipe-mount swivel jacks.



MOUNTING BRACKETS		
Part #	Application	Item
80580	Atwood double lock pin jacks	Double lock pin bracket, unpainted, weld-on
80590	Atwood double lock pin jacks	Double lock pin bracket, painted, bolt-through
81421*	Atwood double lock pin jacks	Double lock pin bracket, zinc-plated, bolt-on
81271	Atwood 2,000 lb. tubular swivel jacks	Tubular mount bracket, weld-on, male, 2" OD
82500	Atwood 5,000 lb. tubular swivel jacks	Tubular mount bracket, weld-on, female, 3" OD
015909	Bulldog swivel jacks	"L" bend swivel bracket
015904	Bulldog swivel jacks	Swivel retaining ring
005006	Bulldog swivel jacks	Tubular mount bracket, weld-on, 2" OD, for .625" pin
015273	Bulldog swivel jacks	Tubular mount bracket, weld-on, 2" OD, for .5625" pin
P20510-00	Fulton swivel jacks, (use w/ 015904 snap ring)	Weld-on bracket
PMTC10	Auto Lock by Temco jack TC-10	Tubular mount bracket, weld-on

*Note: fits frames 2" or 3" wide and 3", 4" or 5" deep.

Call us if you need any miscellaneous parts for your Bulldog jacks. We have all the necessary hardware.



HAMMERBLOW JACK PARTS	
Part #	Item
018400	.5" plunger assembly
017229	Steel caster assembly
018917	Topwind crank assembly, bolt and nut included

Jacks Couplers Hitches

Available in three different styles for both 2" and 2 5/16" balls, Atwood's a-frame coupler's moving parts are painted with a special primer for additional corrosion protection.

A-FRAME COUPLERS - ATWOOD			
Part #	Capacity	Ball Size	End Housing
80072	5,000 lbs.	2"	Angled end housing
88555	8,000 lbs.	2"	Angled end housing
80101	8,500 lbs.	2 5/16"	Angled end housing
81911	10,000 lbs.	2 5/16"	Angled end housing
81912	13,000 lbs.	2 5/16"	Angled end housing



These couplers are excellent for use in the horse, boat and industrial trailer industries. A spring-loaded locking collar and thumb latch system provide positive coupling.

A-FRAME COUPLERS - BULLDOG			
Part #	Capacity	Ball Size	Latch Style
2B8L	5,000 lbs.	2"	Low latch
2B8H	5,000 lbs.	2"	High latch
3B8L	7,000 lbs.	2"	Low latch
4B8L	12,500 lbs.	2 5/16"	Low latch
4B8H	12,500 lbs.	2 5/16"	High latch



Fulton's cast A-frame couplers have the E-Z Latch™ and are primed and painted.

A-FRAME COUPLERS - FULTON			
Part #	Capacity	Ball Size	Stamped or Die Cast
33-305	5,000 lbs.	2"	Stamped
33305C	5,000 lbs.	2"	Die cast
43805C	8,000 lbs.	2 5/16"	Die cast
41125C	12,500 lbs.	2"	Die cast
44150C	15,000 lbs.	2 5/16"	Die cast



These A-frame couplers are functionally engineered for demanding applications. Mounts onto frame members set at 50°.

A-FRAME COUPLERS - SHELBY		
Part #	Capacity	Ball Size
5172	5,000 lbs.	2"
5104	10,000 lbs.	2 5/16"



Support plates provide support for the A-frame jack tube on the bottomside of the trailer's frame.

SUPPORT PLATES		
Part #	Application	Hole Diameter
80560	Atwood 1,000 lb. jacks	1.920"
80570	Atwood 2,000 and 5,000 lb. jacks	2.230"
003135	Hammerblow 155 series jacks	2.312"
2200-00	Shelby jacks	2.000"
3410-F	Fulton 1,000 lb. jacks	1.880"
3411-F	Fulton 2,000-5,000 lb. jacks	2.250"
6612-DL	Dutton-Lainson 2,000 - 5,000 lb. jacks	2.250"



Jacks Couplers Hitches

Bulldog's straight tongue couplers are durable drop-forged couplers, made with a heavy-gauge metal. They have spring-loaded locking collars with a thumb-latch for positive locking.



2B4H

STRAIGHT TONGUE COUPLERS - BULLDOG					
Part #	Capacity	Overall Length	Application	Tongue Style	Tongue Size
2B2H	5,000 lbs.	10.75"	2" ball	Round tube	2.50" OD x 1.75" ID
2B5H	5,000 lbs.	16.25"	2" ball	Round channel	3.50"
2B4H	5,000 lbs.	16.25"	2" ball	Square channel	3"
3B4H	7,000 lbs.	16.25"	2" ball	Square channel	3"
4B2H	12,500 lbs.	12.75"	2 $\frac{5}{16}$ " ball	Round tube	2.25" OD x 1.75" ID
4B4H	12,500 lbs.	16.50"	2 $\frac{5}{16}$ " ball	Square channel	3"

Atwood straight tongue couplers offer high quality and secure latching for trailers. They are designed for a variety of applications which include bolt-on for 3" channel, weld-on for 2" and 3" channels and weld-between use.



80051

STRAIGHT TONGUE COUPLERS - ATWOOD				
Part #	Capacity	Ball Size	Channel	SAE Class
80051	3,500 lbs.	2" ball	3" channel	II
80060	5,000 lbs.	2" ball	3" channel	III
80082	5,000 lbs.	2" ball	2" channel	III
80131	8,500 lbs.	2 $\frac{5}{16}$ " ball	3" channel	IV

The most popular latching mechanism designed is now available in a complete line of Fas-Lok™ couplers from Fulton. The safety latch prevents accidental uncoupling. Zinc finish is also available.



22-300

STRAIGHT TONGUE COUPLERS - FULTON				
Part #	Capacity	Ball Size	Channel	SAE Class
11-200	2,000 lbs.	1 $\frac{7}{8}$ " ball	2" channel	I
11-250	2,000 lbs.	1 $\frac{7}{8}$ " ball	2.50" channel	I
11-300	2,000 lbs.	1 $\frac{7}{8}$ " ball	3" channel	I
22-200	3,500 lbs.	2" ball	2" channel	II
22-250	3,500 lbs.	2" ball	2.50" channel	II
22-300	3,500 lbs.	2" ball	3" channel	II
308	5,000 lbs.	2"-2 $\frac{1}{2}$ " ball	2.785" channel	III

Die-formed straight tongue couplers are easily and quickly unlocked by a unique trigger-action release on the safety lever. These couplers have an oil finish. Zinc finish is also available.



5145

STRAIGHT TONGUE COUPLERS - SHELBY				
Part #	Capacity	Ball Size	Channel	SAE Class
5143	2,000 lbs.	1 $\frac{7}{8}$ " ball	2" channel	I
5141	2,000 lbs.	1 $\frac{7}{8}$ " ball	2.50" channel	I
5145	3,500 lbs.	2" ball	2" channel	I
5142	3,500 lbs.	2" ball	2.50" channel	II
5146	3,500 lbs.	2" ball	3" channel	II

Jacks Couplers Hitches

Dutton-Lainson couplers offer an exclusive “Quick-Lock” ball clamp assembly that can be adjusted without the need of wrenches. This feature provides a precise fit. These couplers have an oil finish. Zinc finish is also available.



STRAIGHT TONGUE COUPLERS - DUTTON-LAINSON				
Part #	Capacity	Ball Size	Channel	SAE Class
3110-DL	2,000 lbs.	1 7/8" ball	2" channel	I
3112-DL	2,000 lbs.	1 7/8" ball	2.50" channel	I
3111-DL	2,000 lbs.	1 7/8" ball	3" channel	I
3105-DL	3,500 lbs.	2" ball	2" channel	II
3106-DL	3,500 lbs.	2" ball	2.50" channel	II
3104-DL	3,500 lbs.	2" ball	3" channel	II



3110-DL

Should the original handle or ball clamp assembly become damaged, avoid hassle and undue expense with a coupler repair kit. Easy to install.

COUPLER REPAIR PARTS		
Part #	Description	Ball Size
58	Repair kit for Fulton 11 and 1 series Fas-Lok couplers	1 7/8"
59	Repair kit for Fulton 22 and 2 series Fas-Lok couplers	2"
52	Repair kit for Fulton 306 and 308 couplers	2" and 2 5/16"
S5150	Repair kit for Shelby class I couplers	1 7/8"
S5151	Repair kit for Shelby class II couplers	2"
6256-DL	Repair kit for Dutton-Lainson class I couplers	1 7/8"
6257-DL	Repair kit for Dutton-Lainson class II couplers	2"
15773	Repair kit for Atwood 80072	2"
40454	Repair kit for Dico multi-fit coupler	1 7/8" and 2"
3120-P	Hammerblow safety pin with clip	2" and 2 5/16"



S5150

If you are repairing or building a trailer, you don't have to look any further. We carry a full line of gooseneck couplers in a variety of styles. Fits 2 5/16" ball.

GOOSENECK COUPLERS - BULLDOG					
Part #	Cap. Ret.	Retracted Height	Extended Height	Tube OD	Description
3130-HB	20,000 lbs.	n/a	34"	4.5" Rd.	Non-adjustable
3131-HB	20,000 lbs.	29.5"	40.5"	4.5" Rd.	Set screw, adjustable
3134-HB	20,000 lbs.	31.75"	42.5"	4.5" Sq.	Set screw, adjustable



3130-HB

3131-HB

3134-HB

GOOSENECK COUPLERS - SUPERIOR					
Part #	Cap. Ret.	Retracted Height	Extended Height	Tube OD	Description
3130-SP	20,000 lbs.	n/a	32"	4.5" Rd.	Non-adjustable
3131-SP	20,000 lbs.	28"	36"	4.5" Rd.	Set screw, adjustable
3134-SP	20,000 lbs.	32"	40"	4.5" Sq.	Set screw, adjustable
3131-GG	30,000 lbs.	30"	38"	4.5" Sq.	Set screw, adjustable



3131-SP



3134-SP

Jacks Couplers Hitches



This line of couplers represent the best in quality. Temco's load leveling couplers allow easy leveling of your load by simply cranking "higher" or "lower."



GOOSENECK COUPLERS - AUTOLOCK by TEMCO					
Part #	Cap. Ret.	Retracted Height	Extended Height	Tube OD	Description
SM-2516-28	24,000 lbs.	n/a	28"	4.5" Rd.	Non-adjustable
BH-2516SRD	30,000 lbs.	28"	38"	4.5" Rd.	Set screw, adjustable
BH-2516SST	30,000 lbs.	30"	38"	4" Sq.	Set screw, adjustable
LL-2516ST	24,000 lbs.	28"	38"	4" Sq.	Top crank, adjustable
LL-2516GN	30,000 lbs.	28"	38"	4" Sq.	Top crank, adjustable
LL-2516BH	30,000 lbs.	30"	38"	4" Sq.	Top crank, adjustable



GOOSENECK COUPLERS LESS PIPE				
Part #	Manufacturer	Item	Capacity	Ball Size
3132-HB	Hammerblow	Gooseneck coupler, no pipe	20,000 lbs.	2 ⁵ / ₁₆ "
3132-SP	Superior	Gooseneck coupler, no pipe	20,000 lbs.	2 ⁵ / ₁₆ "
GN-24	Fulton	Gooseneck coupler, no pipe	24,000 lbs.	2 ⁵ / ₁₆ "
3133	Kalyn	Gooseneck coupler, no pipe, with pin	30,000 lbs.	2 ⁵ / ₁₆ "

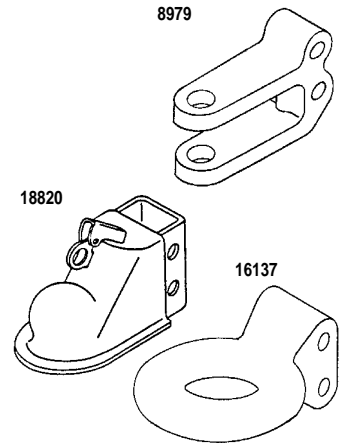
We know that your trailer is an important investment, so we carry a full line of coupler locks to assist in the prevention of theft.



COUPLER LOCKS		
Part #	Manufacturer	Application
33	Master Lock	Fits most 1 ⁷ / ₈ " couplers
34	Master Lock	Fits most 2" couplers
35	Master Lock	Fits 2" and 2 ⁵ / ₁₆ " Dutton-Lainson couplers
36	Master Lock	Fits 33-305 Fulton couplers
39	Master Lock	Fits 1 ⁷ / ₈ " and 2" Bulldog couplers
37	Master Lock	Shackle fits openings .50" in diameter or larger
TP20	Fulton	Fits 2" couplers
TP25	Fulton	Fits most 2 ⁵ / ₁₆ " couplers
3961	Fulton	Fits all standard couplers
CL-2	C.T. Johnson	Fits .50" span
CL-3	C.T. Johnson	Fits 2" span
CL-4	C.T. Johnson	Fits 2.375" span
CL-5	C.T. Johnson	Fits 3.375" span
TL20	Blaylock	Fits 1 ⁷ / ₈ ", 2" and 2 ⁵ / ₁₆ " Bulldog couplers and similar styles
TL30	Blaylock	Fits most Atwood, Shelby and Fulton couplers
TL301	Blaylock	Fits Dico brake actuators models 10 and 20
TL45	Blaylock	Lock for TL-50 gooseneck coupler lock
TL50	Blaylock	Fits Bulldog, Stallion, Superior and T.E.M. gooseneck couplers
G33	Guardian	Fits all 1 ⁷ / ₈ " couplers
G34	Guardian	Fits all 2" couplers
G39	Guardian	Fits 2" Bulldog couplers
G40	Guardian	Fits 2" Kodiak couplers
G55	Guardian	Fits kingpins

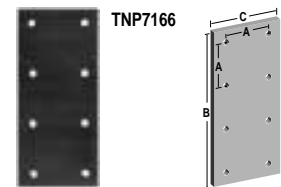
Jacks Couplers Hitches

ADJUSTABLE TONGUE COUPLERS		
Part #	Description	Item
18128	Assembly with 3 position channel	3" lunette eye
9095	Assembly with 3 position channel	3/4" clevis
18122	Assembly with 3 position channel	1" clevis
23309	Assembly with 3 position channel	2 5/8" ball
16137	Replacement part for 18128 assembly	3" Lunette eye
8979	Replacement part for 9095 assembly	3/4" Clevis
18078	Replacement part for 18122 assembly	1" Clevis
18820	Replacement part for 23309 assembly	2 5/8" ball Coupler
8978	Replacement part for all above assemblies	Channel, 3 position (Buyers)
B8978	Replacement part for all above assemblies	Channel, 3 position
B8979	Replacement part for all above assemblies	Channel, 5 position with gussets
9093	Replacement part for all above assemblies	Mounting bolt, 5/8" X 4.5"
10405	Replacement part for all above assemblies	Lock nut, 5/8" - 11



This predrilled nose plate is designed to accept the DB1250-15 draw bar. Allows three mounting positions.

TRAILER NOSE PLATE				
Part #	Thickness	Bolt Pattern (Dim. A)	Height (Dim. B)	Width (Dim. C)
TNP7166	.750"	4.50"	16"	7"



Draw bars are often used on construction equipment and over-the-road trailers. Each has a 4 1/2" square bolt pattern.

DRAW BARS - PLATE MOUNT				
Part #	Max. Gross Trailer Weight	Max. Vertical Load	Inner Diameter	Ring Diameter
DB1250-15	35,000 lbs.	7,000 lbs.	2.50"	1.25" x 1.5"
DB1385	60,000 lbs.	15,000 lbs.	3"	1.62"



Shank mount draw bars can be welded or bolted to the trailer tongue. Includes the washer, nut and cotter pin.

DRAW BARS - ROUND					
Part #	Max. Gross Trailer Weight	Max. Vertical Load	Inner Diameter	Ring Diameter	Shank Diameter
DB1250-3	15,000 lbs.	3,000 lbs.	2.50"	1.5" x 1.25"	1.50"
DB1249-2H	45,000 lbs.	9,000 lbs.	3"	1.62"	2"



These forged steel draw bars from Buyers are designed to be welded into place.

DRAW BARS			
Part #	Max. Gross Trailer Weight	Max. Vertical Load	Inner Diameter
LW10	10,000 lbs.	1,000 lbs.	2.50"
LW847	N/A	N/A	3"



Jacks Couplers Hitches

Pintle hooks are for use when towing medium to heavy trailers. These pintle hooks are the standard for the construction industry.



T60AL

T60AOL-8



PH760

T90-A



PH45

PINTLE HOOKS - HOLLAND			
Part #	Max. Gross Trailer Weight	Max. Vertical Load	Description
T60AL	10,000 lbs.	2,000 lbs.	Rigid pintle hook, 4 mount holes
T90-A	20,000 lbs.	4,000 lbs.	Swivel pintle hook, 6 mount holes
T60AOL-8	30,000 lbs.	6,000 lbs.	Rigid pintle hook, 4 mount holes
PH200	90,000 lbs.	18,000 lbs.	Rigid pintle hook with air cushion, 4 mount holes
PH200-1	90,000 lbs.	18,000 lbs.	Rigid pintle hook without air cushion, 4 mount holes
PH400	90,000 lbs.	18,000 lbs.	Rigid pintle hook with air cushion, 8 mount holes
PH400-1	90,000 lbs.	18,000 lbs.	Rigid pintle hook without air cushion, 8 mount holes
PH760	49,000 lbs.	9,800 lbs.	Swivel pintle hook, 2 mount holes

PINTLE HOOKS - BUYERS			
Part #	Max. Gross Trailer Weight	Max. Vertical Load	Description
PH5	10,000 lbs.	6,000 lbs.	Rigid pintle hook, 4 mount holes
PH15	30,000 lbs.	6,000 lbs.	Rigid pintle hook, 4 mount holes
PH20	40,000 lbs.	6,000 lbs.	Rigid pintle hook, 4 mount holes
PH45	90,000 lbs.	18,000 lbs.	Rigid pintle hook, 4 mount holes
8520	Mounting fastener kit for PH15, BH8 pintle hooks		
P11C	Safety clip with chain		

Combination pintle hooks include the hitch ball so they can be used with couplers or pintle rings.

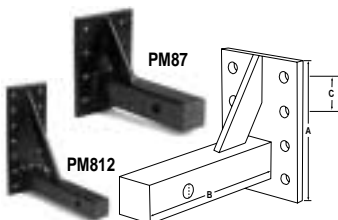


BH82000

PH16B

COMBINATION PINTLE HOOKS				
Part #	Description	Max. Gross Trailer Weight	Max. Vertical Load	Ball Size
BH81780	Combination pintle hook	16,000 lbs.	3,000 lbs.	1½"
BH82000	Combination pintle hook	16,000 lbs.	3,000 lbs.	2"
BH82516	Combination pintle hook	16,000 lbs.	3,000 lbs.	2½"
PH16B	Combination pintle hook	19,000 lbs.	3,800 lbs.	2"
RB1780	Replacement ball			1½"
RB2000	Replacement ball			2"
RB2516	Replacement ball			2½"

These mounts are designed to adapt receiver tubes to multi-height pintle hook applications.



PM87

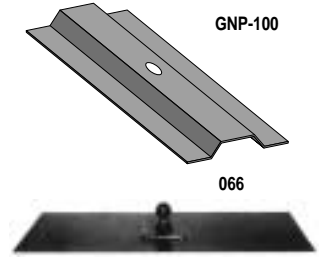
PM812

PINTLE HOOK MOUNTS				
Part #	Plate Height (A)	Shank Length (B)	Hole Offset (C)	Pairs of Holes
PM84	4"	8.50"	3"	2
PM87	7.250"	8.50"	3"	4
PM107	7.250"	10.50"	3"	4
PM812	13"	12.50"	2.5"	7
PM1012	13"	14.50"	2.5"	7

Jacks, Couplers, Hitches

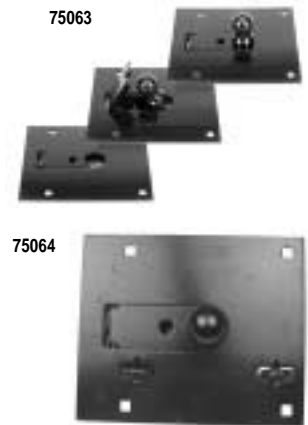
The gooseneck hitch plate allows you to tow your gooseneck trailer by mounting securely to the frame of your truck bed.

GOOSENECK HITCH PLATE					
Part #	Capacity	Plate Length	Plate Width	Plate Thickness	Ball
066	25,000 lbs.	42"	13.50"	.375"	With 2 ⁵ / ₁₆ " ball
GNP-100	n/a	40"	15"	.250"	Without ball
GNP-100-B	n/a	40"	15"	.250"	With 2 ⁵ / ₁₆ " ball



Our folding balls fold flush with the base plate to allow for maximum utilization of the truck bed. They have a retractable ball mount for a 2 5/16" hitch ball. The optional safety chain u-bolt kit can be added to the Buyers model to increase towing safety and comply with specific DOT regulations.

FOLDING BALL AND ACCESSORIES			
Part #	Description	Max. Gross Trailer Weight	Max. Vertical Load
75064	Folding ball, Atwood, w/ safety link	25,000 lbs.	5,000 lbs.
75063	Folding ball, Atwood, w/o safety link	25,000 lbs.	5,000 lbs.
B25	Folding ball, Buyers	25,000 lbs.	6,000 lbs.
BRB03	Safety chain u-bolt kit for B25		



A complete hitch system with a rating of 30,000 pounds Gross Trailer Weight 7,500 pounds Gross Tongue Weight. No welding or fabrication needed for installation.

POP UP RETRACTABLE GOOSENECK HITCHES	
Part #	Application
PU110	Ford Classic Long & Short Bed; 1980 - 1998; 1/2, 3/4 and 1 ton
PU111	Ford Super Duty Long & Short Bed; 1999 - Newer; 1/2, 3/4 and 1 ton
PU112	Ford Light Duty Long & Short Bed; 1997 - Newer; 1/2 and Light 3/4 ton
PU113	Chevy/GMC CK Long Bed Only; 1988 - 1999; 1/2, 3/4 and 1 ton
PU114	Chevy/GMC Short Bed Only; 1988 - 1999; 1/2, 3/4 and 1 ton
PU115	Silverado and Sierra Long and Short Bed; 1999 - Newer; 1/2 and 3/4
PU116	Dodge Long and Short Bed; 1994 - Newer; 1/2, 3/4 and 1 ton



Fifth wheels are for RV, utility and industrial use. These fifth wheels accept 2" standard kingpins.

FIFTH WHEELS			
Part #	Description	Max. Gross Trailer Weight	Max. Vertical Load
FW6000	Fifth wheel	32,000 lbs.	12,000 lbs.
FW1900	Fifth wheel	40,000 lbs.	20,000 lbs.
BFW0001	Mini fifth wheel, Binkley	32,000 lbs.	n/a



These kingpins meet or exceed the performance requirements for kingpins set by the Society of Automotive Engineers (SAE).

KINGPINS AND ACCESSORIES		
Part #	Description	Bolster Plate Thickness
KP-T-809-F	2" SAE kingpin, Holland	.38
T809	2" SAE kingpin, Buyers	.38"
KP-6500	Adjustable height mounting box with 2" kingpin	.38"
KP-6610	2" folding kingpin and plate assembly	-
75133	Retractable kingpin	-



Jacks, Cupers, Hitches

HITCHES						
Part #	Application	Year	Pieces	Weight Carrying Cap.	Weight Distributing Cap.	
 CHEVY						
25009	Pickup, all full size	'88-'99	1 piece	5,000 lbs.	10,000 lbs.	
25008	Pickup, all full size	'73-'99	3 piece	5,000 lbs.	10,000 lbs.	
25004	Pickup, all full size, except short bed	'62-'87	3 piece	8,000 lbs.	12,000 lbs.	
25011	Pickup, full size, with 10" step bumper	'73-'99	3 piece	5,000 lbs.	10,000 lbs.	
25056	Pickup, long & short bed, 16" spare	'88-'99	1 piece	8,000 lbs.	12,000 lbs.	
25057	Pickup, long & short bed, 16" spare, with 10" step bumper	'88-'99	1 piece	8,000 lbs.	12,000 lbs.	
25124	1 ton	'73-'99	3 piece	10,000 lbs.	14,000 lbs.	
25004	1 ton, with 34" frame width (cab and chassis)	'96-'99	3 piece	8,000 lbs.	12,000 lbs.	
25125	1 ton, with 10" step bumper	'73-'99	3 piece	10,000 lbs.	14,000 lbs.	
25015	Blazer, full size	'92-'99	1 piece	5,000 lbs.	10,000 lbs.	
25039	Suburban	'73-'91	1 piece	5,000 lbs.	10,000 lbs.	
25015	Suburban	'92-'99	1 piece	5,000 lbs.	10,000 lbs.	
25015	Tahoe	'92-'99	1 piece	5,000 lbs.	10,000 lbs.	
25046	Van, full size except Express & short wheelbase, with step bumper	'78-'96	1 piece	5,000 lbs.	10,000 lbs.	
FORD						
25002	Pickup, all full size, old body style	'67-'97	1 piece	8,000 lbs.	12,000 lbs.	
25010	Pickup, old body style only	'67-'97	1 piece	5,000 lbs.	10,000 lbs.	
25008	Pickup, old body style only	'73-'97	3 piece	5,000 lbs.	10,000 lbs.	
25011	Pickup, old body style only, with 10" step bumper	'73-'97	3 piece	5,000 lbs.	10,000 lbs.	
25004	Pickup, old body style only, with 10" step bumper	'67-'97	3 piece	8,000 lbs.	12,000 lbs.	
25098	F150, F250 (2 & 3 door, long & short bed and extended cab, except heavy duty)	'97-'98	3 piece	5,000 lbs.	10,000 lbs.	
25093	F250, F350 Super Duty	'99	3 piece	8,000 lbs.	12,000 lbs.	
25096	F250, F350 Super Duty, with 10" step bumper	'99	3 piece	8,000 lbs.	12,000 lbs.	
25128	F250, F350 Super Duty, with 10" step bumper	'99-'00	3 piece	10,000 lbs.	14,000 lbs.	
25122	1 ton	'67-'97	3 piece	10,000 lbs.	14,000 lbs.	
25019	Bronco, with step bumper	'78-'96	1 piece	5,000 lbs.	10,000 lbs.	
25008	Bronco, with step bumper	'78-'96	3 piece	5,000 lbs.	10,000 lbs.	
25011	Bronco, with 10" step bumper	'78-'96	3 piece	5,000 lbs.	10,000 lbs.	
25024	Explorer, 2 & 4 door	'91-'97	1 piece	5,000 lbs.	8,000 lbs.	
25077	Expedition	'97-'98	1 piece	5,000 lbs.	10,000 lbs.	
25024	Mercury Mountaineer	'96-'97	1 piece	5,000 lbs.	8,000 lbs.	
25048	Van, full size, with step bumper	'75-'91	1 piece	5,000 lbs.	10,000 lbs.	
25049	Van, full size, with step bumper	'92-'98	1 piece	5,000 lbs.	10,000 lbs.	
DODGE						
25010	Pickup, all full size	'72-'93	1 piece	5,000 lbs.	10,000 lbs.	
25002	Pickup, all full size	'72-'93	1 piece	8,000 lbs.	12,000 lbs.	
25008	Pickup, all full size	'72-'93	3 piece	5,000 lbs.	10,000 lbs.	
25004	Pickup, all full size	'72-'93	3 piece	8,000 lbs.	12,000 lbs.	
25011	Pickup, full size, with 10" step bumper	'72-'93	3 piece	5,000 lbs.	10,000 lbs.	
25122	1 ton	'72-'93	3 piece	10,000 lbs.	14,000 lbs.	
25127	1 ton, with 10" step bumper	'94-'98	1 piece	10,000 lbs.	14,000 lbs.	
25123	1 ton, with 10" step bumper	'67-'99	3 piece	10,000 lbs.	14,000 lbs.	
25051	Van, full size	'86-'97	1 piece	5,000 lbs.	10,000 lbs.	
JEEP						
25035	Grand Cherokee	'93-'98	1 piece	5,000 lbs.	10,000 lbs.	
MAZDA						
25035	Navajo	'91-'94	1 piece	5,000 lbs.	10,000 lbs.	

Jacks Couplers Hitches

Receiver tubes allow you to make custom receiver hitches. All are designed to fit a 2" square hitch bar.

RECEIVER TUBES			
Part #	Description	Tube Length	Pin Hole
R625	Receiver bar	6"	.625"
R825	Receiver bar	8"	.625"
R1025	Receiver bar	10"	.625"
R1225	Receiver bar	12"	.625"
R1825	Receiver bar	18"	.625"
R2425	Receiver bar	24"	.625"
R3625	Receiver bar	36"	.625"
SBHB25*	Step bumper hitchbox	6"	.625"

*Mounting bolts included.

RECEIVER TUBE COVER			
Part #	Material	Size	Pin Hole
RC2	Chrome finish metal	2"	.625"

Putnam's step bumper hitch bolts onto the rear of a pickup's step bumper. It provides a lower hitch point, allowing a level ride. Bolts are included with hitches.

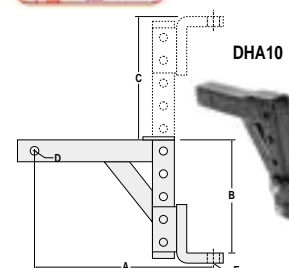
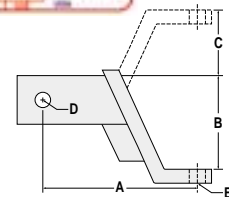
STEP BUMPER		
Part #	Description	Ball Hole
SH4	4" step	1"
SH6	6" step	1"

Drop/rise ball mounts allow you to place the ball at the current height for a specific trailer. Part numbers with "S" designate solid bar shank.

DROP/RISE BALL MOUNTS						
Part #	Shank Length (Dim. A)	Drop (Dim. B)	Rise (Dim. C)	Pinhole (Dim. D)	Ball Hole Size (Dim. E)	Capacity
DH26	7.250"	2"	.750"	.625"	1"	6,000 Lbs.
DH26S	7.250"	2"	.750"	.625"	1"	8,000 Lbs.
DH28	9.250"	2"	.750"	.625"	1"	6,000 Lbs.
DH210	11.250"	2"	.750"	.625"	1"	6,000 Lbs.
DH46	8.125"	4"	2.750"	.625"	1"	6,000 Lbs.
DH46S	8.125"	4"	2.750"	.625"	1"	8,000 Lbs.
DH48	10.125"	4"	2.750"	.625"	1"	6,000 Lbs.
DH410	12.125"	4"	2.750"	.625"	1"	6,000 Lbs.
DH6	9.125"	6"	4.750"	.625"	1"	5,000 Lbs.
DH68	11.125"	6"	4.750"	.625"	1"	5,000 Lbs.
DH8	10.50"	8"	6.750"	.625"	1"	5,000 Lbs.

This drop/rise ball mount can be adjusted 10". It comes with the pins and keepers to hold the movable portion in place.

ADJUSTABLE DROP/RISE BALL MOUNT						
Part #	Shank Length (Dim. A)	Drop (Dim. B)	Rise (Dim. C)	Pinhole (Dim. D)	Ball Hole Size (Dim. E)	Capacity
DHA10	13"	11"	10"	.625"	1"	6,000 Lbs.



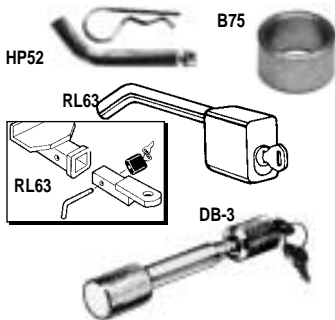
Jacks Copes Hitches

A cushioned ball mount uses polyurethane cushions to reduce the jolts associated with trailer towing. Reducing these jolts helps protect your hitch assembly, trailer contents, and your towing vehicle's driveline. Will fit any underframe receiver hitch with a 2" square socket. Ball hole is 1" in diameter and has a capacity of 10,000 lbs.



AM-S-C-2

DROP/RISE CUSHIONED BALL MOUNTS		
Part #	Application	Ball Size
AM-S-C-2	2" drop, open-ended and closed sockets with depth of 4.625" or more	1" shank diameter
AM-SS-C-2	2" drop, closed sockets with depth between 2.50" and 4.50"	1" shank diameter
AM-S-C-4	4" drop, open-ended and closed sockets with depth of 4.625" or more	1" shank diameter
AM-SS-C-4	4" drop, closed sockets with depth between 2.50" and 4.50"	1" shank diameter



HITCH/RECEIVER ACCESSORIES	
Part #	Application
HP52	Mini-receiver pin and clip, 3" x .50"
HPP1	Receiver hitch pull pin, 3" x .625", with keeper
RL63	Receiver lock, for 2" x 2" receivers, .625" diameter pin
B75	Hitch bushing, reduces 1" to .750"
DB-3	Dead bolt hitch lock, .625" diameter

Convert-A-Ball™ hitch system products are your answer to multi-need trailer connections. Three interchangeable ball sizes fit the 1" shank (1 1/8", 2" and 2 5/16"), and two ball sizes fit the 3/4" shank (1 1/8" and 2").



CONVERT-A-BALL™			
Part #	Description	Size	Capacity
944-700	Convert-A-Ball set, 2 ball set	.750" shank	3,500 lbs.
944-800	Convert-A-Ball set, 2 ball set	.750" long shank	3,500 lbs.
944-802	Convert-A-Ball set, 2 ball set, stainless	.750" long shank	5,000 lbs.
944-901	Convert-A-Ball set, 2 ball set	1" shank	8,000 lbs.
944-900	Convert-A-Ball set, 3 ball set	1" shank	8,000 lbs.
944-902	Convert-A-Ball set, 3 ball set, stainless	1" shank	10,000 lbs.
944-101	Replacement shank	.750" long shank	3,500 lbs.
944-102	Replacement shank	1" shank	8,000 lbs.
944-105	Replacement shank	1" long shank	8,000 lbs.
944-300	Replacement ball	1 1/8" ball	N/A
944-400	Replacement ball	2" ball	N/A
944-600	Replacement ball	2 5/16" ball	N/A
944-004	Carrying case		
944-005	Shank cover		

1-877-QTRAILER

Jacks, Couplers, Hitches

Adapt-A-Ball has a patented push pin ball release system which enables you to change ball sizes in seconds. Both shank and pin are made of solid steel.

ADAPT-A-BALL™			
Part #	Description	Size	Capacity
57-800	Adapt-A-Ball set, 2 ball set	.750" shank	3,500 lbs.
57-900	Adapt-A-Ball set, 3 ball set	1" shank	8,000 lbs.
57-101	Replacement shank	.750" shank	3,500 lbs.
57-102	Replacement shank	1" shank	8,000 lbs.
57-300	Replacement ball	1½" ball	N/A
57-400	Replacement ball	2" ball	N/A
57-600	Replacement ball	2½" ball	N/A
57-1000	Storage case		



This vinyl-molded hitch ball cover protects your hitch ball while adding a touch of class to your tow vehicle.

HITCH BALL COVER	
Part #	Description
BC-0100	Hitch ball cover, fits 1½" and 2" hitch balls



HITCH BALLS – MACHINED				
Part #	Ball Size	Shank Diameter	Shank Length	Capacity
3204	1½"	.750"	2.125"	2,000 lbs.
3204-L	1½"	.750"	3"	2,000 lbs.
3205	2"	.750"	2.125"	2,000 lbs.
3205-L	2"	.750"	3"	3,500 lbs.
3201-H	2"	1"	2"	7,000 lbs.
3201	2"	1"	2.250"	5,000 lbs.
3201-L	2"	1"	3"	5,000 lbs.
3215	2"	1.250"	2.250"	7,000 lbs.
80202	2"	1.250"	2.250"	8,000 lbs.
3209	2½"	1"	2.250"	6,000 lbs.
3209-L	2½"	1"	3.50"	6,000 lbs.
3207	2½"	1.250"	2.250"	10,000 lbs.
3202	2½"	1.250"	2.250"	30,000 lbs.
3212	2½"	1.250"	3.250"	10,000 lbs.
3203-A	2½"	1.385"	2.50"	40,000 lbs.
3213	2½"	1.50"	3.50"	10,000 lbs.
3210	2½"	2"	3.50"	30,000 lbs.
3211	2½"	2.1875" smooth shank	4"	30,000 lbs.
3208	3"	2"	3.250"	40,000 lbs.



Jacks, Cupers, Hitches



HITCH BALLS – MACHINED, WITH RISE					
Part #	Ball Size	Shank Diameter	Shank Length	Rise	Capacity
3217	2"	1"	2"	2"	3,500 lbs.
3216	2"	1"	2"	1"	5,000 lbs.
3214	2 ⁵ / ₁₆ "	1.250"	3.250"	1"	24,000 lbs.
3206	2 ⁵ / ₁₆ "	1.250"	2.50"	1"	7,000 lbs.
3207-5	2 ⁵ / ₁₆ "	1.250"	3.250"	1"	30,000 lbs.
3207-5F	2 ⁵ / ₁₆ "	1.385"	3.250"	1"	30,000 lbs.
3121	2 ⁵ / ₁₆ "	1.50"	2.750"	2"	30,000 lbs.



HITCH BALLS – CHROME				
Part #	Ball Size	Shank Diameter	Shank Length	Capacity
3204-C	1 ⁷ / ₁₆ "	.750"	2.125"	2,000 lbs.
3206-C	1 ⁷ / ₁₆ "	1"	2.250"	2,000 lbs.
3205-C	2"	.750"	1.750"	3,500 lbs.
3201-C	2"	1"	2"	5,000 lbs.
3201-LC	2"	1"	3"	5,000 lbs.
3215-C	2"	1.250"	2.250"	7,500 lbs.
3209-C	2 ⁵ / ₁₆ "	1"	2"	5,000 lbs.
3212-C	2 ⁵ / ₁₆ "	1.250"	2"	7,000 lbs.
3250-C	2 ⁵ / ₁₆ "	1"	2.125"	5,000 lbs.
3275-C	2 ⁵ / ₁₆ "	1.250"	2.125"	7,500 lbs.



HITCH BALLS – ZINC				
Part #	Ball Size	Shank Diameter	Shank Length	Capacity
3209-Z	2 ⁵ / ₁₆ "	1"	2.250"	6,000 lbs.
3205-LZ	2"	.750"	3"	3,500 lbs.
3205-Z	2"	.750"	2.125"	3,500 lbs.
3204-LZ	1 ⁷ / ₁₆ "	.750"	3"	2,000 lbs.
3204-Z	1 ⁷ / ₁₆ "	.750"	2.125"	2,000 lbs.
3201-LZ	2"	1"	3"	5,000 lbs.
3201-Z	2"	1"	2.250"	5,000 lbs.

QUALITY

TRAILER PRODUCTS, INC.

a POLAR company

POLAR
SERVICE CENTERS

WHEEL&RIM
Century
a division of Quality Trailer Products