

Suspensions

U BOLT KIT

2,000 lb. Axles – 1 3/4" Round Axle

Part #	Diagram #	Quantity	Description
4205			U bolt kit for 1 3/4" round axle, industry # APUBR10
4205-1	1	4	U bolt, 1 3/4" x 4 3/8" x 3/8" – 16
4205-3	2	2	U bolt plate, 1 3/4"
4204-2	3	8	Hex nut, 3/8" – 16
4204-4	4	8	Lock washer, 3/8" ID

U BOLT KIT

2,000 lb. Axles – 1 3/4" Round Axle – Zinc Plated

Part #	Diagram #	Quantity	Description
4205-ZP			U bolt kit for 1 3/4" round axle, zinc plated
4205-1ZP	1	4	U bolt, 1 3/4" x 4 3/8" x 3/8" – 16, zinc plated
4205-3ZP	2	2	U bolt plate, 1 3/4", zinc plated
4204-2ZP	3	8	Hex nut, 3/8" – 16, zinc plated
4204-4ZP	4	8	Lock washer, 3/8" ID, zinc plated

U BOLT KIT

3,500 lb. Axles – 2 3/8" Round Axle

Part #	Diagram #	Quantity	Description
4202			U bolt kit for 2 3/8" round axle, industry # APUBR1
4202-1	1	4	U bolt, 2 3/8" x 5 1/2" x 1/2" – 20
4202-3	2	2	U bolt plate, 2 3/8"
4201-2	3	8	Hex nut, 1/2" – 20
4201-4	4	8	Lock washer, 1/2" ID

U BOLT KIT

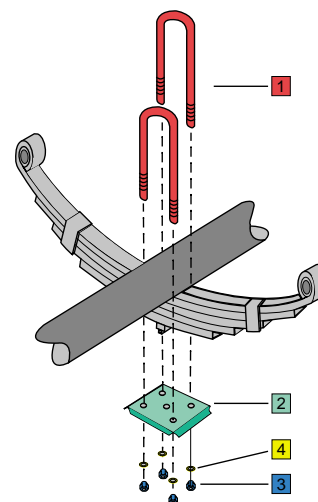
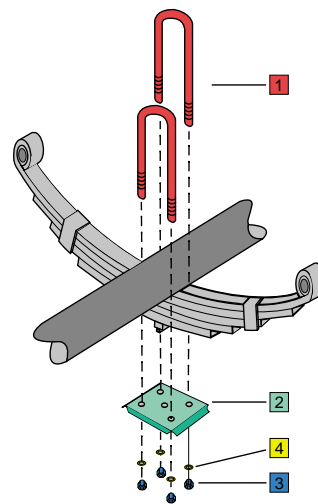
3,500 lb. Axles – 2 3/8" Round Axle – Zinc Plated

Part #	Diagram #	Quantity	Description
4202-ZP			U bolt kit for 2 3/8" round axle, zinc plated
4202-1ZP	1	4	U bolt, 2 3/8" x 5 1/2" x 1/2" – 20, zinc plated
4202-3ZP	2	2	U bolt plate, 2 3/8", zinc plated
4201-2FZP	3	8	Hex nut, 1/2" – 20, zinc plated
4201-4ZP	4	8	Lock washer, 1/2" ID, zinc plated

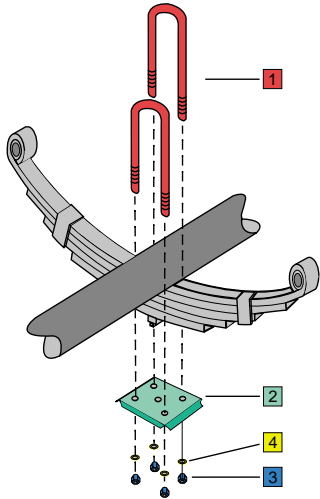
U BOLT KIT

5,200–7,000 lb. Axles – 3" Round Axle

Part #	Diagram #	Quantity	Description
4201			U bolt kit for 3" round axle, industry # APUBR9
4201-1	1	4	U bolt, 3" x 7" x 5/8" – 18
4201-3	2	2	U bolt plate, 3"
4203-2	3	8	Hex nut, 5/8" – 18
4203-4	4	8	Lock washer, 5/8" ID



Suspensions

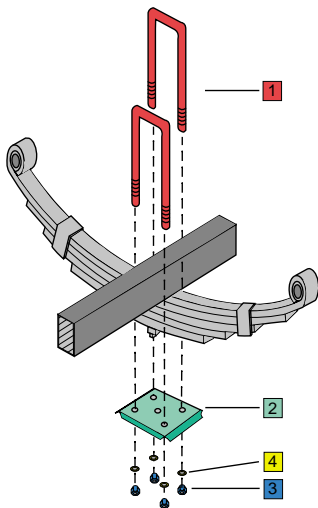


U BOLT KIT			
5,200–7,000 lb. Axles – 3" Round Axle – Zinc Plated			
Part #	Diagram #	Quantity	Description
4201-ZP			U bolt kit for 3" round axle, zinc plated
4201-1ZP	1	4	U bolt, 3" x 7" x $\frac{3}{8}$ " – 18, zinc plated
4201-3ZP	2	2	U bolt plate, 3", zinc plated
4203-2ZP	3	8	Hex nut, $\frac{3}{8}$ " – 18, zinc plated
4203-4ZP	4	8	Lock washer, $\frac{3}{8}$ " ID, zinc plated

U BOLT KIT			
8,000 lb. Axles – 3½" Round Axle			
Part #	Diagram #	Quantity	Description
4200			U bolt kit for 3½" round axle, industry # APUBR35
4200-1	1	4	U bolt, 3½" x 7½" x $\frac{3}{8}$ " – 18
4200-3	2	2	U bolt plate, 3½"
4203-2	3	8	Hex nut, $\frac{3}{8}$ " – 18
4203-4	4	8	Lock washer, $\frac{3}{8}$ " ID

U BOLT KIT			
9,000 lb. Axles – 4" Round Axle			
Part #	Diagram #	Quantity	Description
APUBR40			U bolt kit for 4" round axle, industry # APUBR40
UB400	1	4	U bolt, 4" x 8" x $\frac{5}{8}$ " – 11
TP-400	2	2	U bolt plate, 4"
58HN	3	8	Hex nut, $\frac{5}{8}$ " – 11
58LW	4	8	Lock washer, $\frac{5}{8}$ " ID

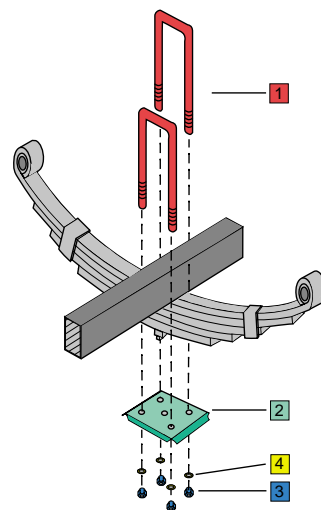
U BOLT KIT			
10,000 lb. General and Heavy Duty and 12,000 lb. Axles – 5" Round Axle			
Part #	Diagram #	Quantity	Description
APUBR50			U bolt kit for 5" round axle, industry # APUBR50
UB-95B	1	4	U bolt, 5" x 10" x $\frac{5}{8}$ " – 11
10625	2	2	U bolt plate, 5"
58HN	3	8	Hex nut, $\frac{5}{8}$ " – 11
58LW	4	8	Lock washer, $\frac{5}{8}$ " ID



U BOLT KIT			
2,000 lb. Axles – 1¾" Square Axle			
Part #	Diagram #	Quantity	Description
4206			U bolt kit for 1¾" square axle, industry # APUBR3
4206-1	1	4	U bolt, 1¾" x 4½" x $\frac{3}{8}$ " – 16
4205-3	2	2	U bolt plate, 1¾"
4204-2	3	8	Hex nut, $\frac{3}{8}$ " – 16
4204-4	4	8	Lock washer, $\frac{3}{8}$ " ID

Suspensions

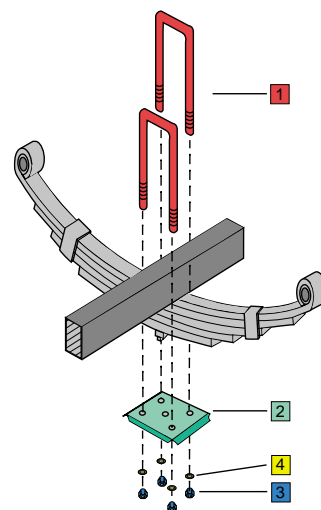
U BOLT KIT			
2,000 lb. Axles – 1 3/4" Square Axle – Zinc Plated			
Part #	Diagram #	Quantity	Description
4206-ZP			U bolt kit for 1 3/4" square axle, zinc plated
4206-1ZP	1	4	U bolt, 1 3/4" x 4 1/2" x 3/8" – 16, zinc plated
4205-3ZP	2	2	U bolt plate, 1 1/4", zinc plated
4204-2ZP	3	8	Hex nut, 3/8" – 16, zinc plated
4204-4ZP	4	8	Lock washer, 3/8" ID, zinc plated



U BOLT KIT			
2,000–3,500 lb. Axles – 2" Square Axle			
Part #	Diagram #	Quantity	Description
4203			U bolt kit for 2" square axle, industry # APUB6
4203-1	1	4	U bolt, 2" x 5 1/4" x 5/16" – 18
4203-3	2	2	U bolt plate, 2"
4203-2	3	8	Hex nut, 5/16" – 18
4203-4	4	8	Lock washer, 5/16" ID

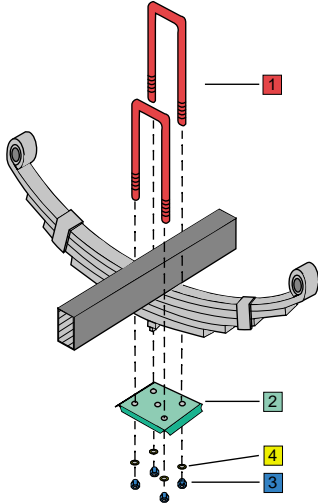
U BOLT KIT			
2,000–3,500 lb. Axles – 2" Square Axle – Zinc Plated			
Part #	Diagram #	Quantity	Description
4203-ZP			U bolt kit for 2" square axle, zinc plated
4203-1ZP	1	4	U bolt, 2" x 5 1/4" x 1/2" – 13, zinc plated
4203-3ZP	2	2	U bolt plate, 2", zinc plated
4201-2ZP	3	8	Hex nut, 1/2" – 13, zinc plated
4201-4ZP	4	8	Lock washer, 1/2" ID, zinc plated

U BOLT KIT			
3,500–6,000 lb. Axles – 2 1/2" Square Axle			
Part #	Diagram #	Quantity	Description
4290-L			U bolt kit for 2 1/2" square axle
4290-1L	1	4	U bolt, 2 1/2" x 6 3/4" x 5/16" – 18
4290-3	2	2	U bolt plate, 2 1/2"
4203-2	3	8	Hex nut, 5/16" – 18
4203-4	4	8	Lock washer, 5/16" ID

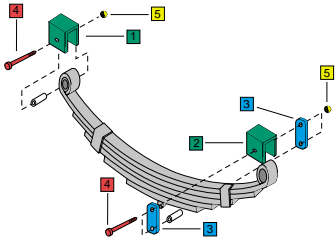


U BOLT KIT			
3,500–6,000 lb. Axles – 2" x 3" Rectangular Axle			
Part #	Diagram #	Quantity	Description
4203-L			U bolt kit for 2" rectangular axle, industry # APUB7
4206-1L	1	4	U bolt, 2" x 6 1/2" x 5/16" – 18
4203-3	2	2	U bolt plate, 2"
4203-2	3	8	Hex nut, 5/16" – 18
4203-4	4	8	Lock washer, 5/16" ID

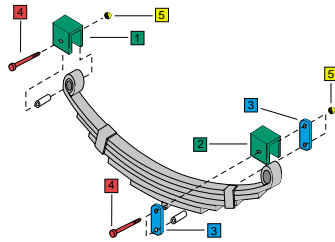
Suspensions



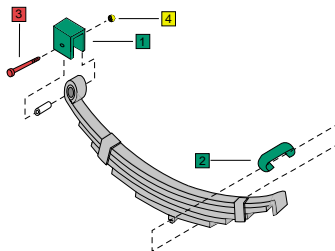
U BOLT KIT			
2,000–3,500 lb. Axles – 2" x 3" Rectangular Axle – Zinc Plated			
Part #	Diagram #	Quantity	Description
4203-LZP			U bolt kit for 2" square axle, zinc plated
4203-1LZP	1	4	U bolt, 2" x 6½" x ½" – 13, zinc plated
4203-3ZP	2	2	U bolt plate, 2", zinc plated
4201-2ZP	3	8	Hex nut, ½" – 13, zinc plated
4201-4ZP	4	8	Lock washer, ½" ID, zinc plated



HANGER KIT – SINGLE			
2,000–3,500 lb. Axles – 1¾" Double Eye Springs			
Part #	Diagram #	Quantity	Description
4103			Hanger kit, industry # APS1
4101-3	1	2	Front hanger
4103-8	2	2	Rear hanger
4101-2	3	4	Shackle strap, 4¾"
4101-5	4	6	Bolt, 3" x ⅝" – 18
4101-6	5	6	Lock nut, ⅝" – 18



HANGER KIT – SINGLE			
2,000–3,500 lb. Axles – 1¾" Double Eye Springs			
Part #	Diagram #	Quantity	Description
4103-L			Hanger kit, industry # APS5
4101-4	1	2	Front hanger
4103-8	2	2	Rear hanger
4101-2	3	4	Shackle strap, 4¾"
4101-5	4	6	Bolt, 3" x ⅝" – 18
4101-6	5	6	Lock nut, ⅝" – 18

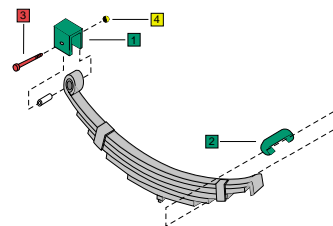


HANGER KIT – SINGLE			
2,000–3,500 lb. Axles – 1¾" Slipper Springs			
Part #	Diagram #	Quantity	Description
4104			Hanger kit, industry # APS1SE
4101-3	1	2	Front hanger
4104-4	2	2	Rear hanger
4101-5	3	2	Bolt, 3" x ⅝" – 18
4101-6	4	2	Lock nut, ⅝" – 18

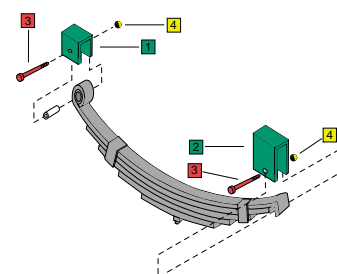
WWW.QTRAILER.COM

Supersiors

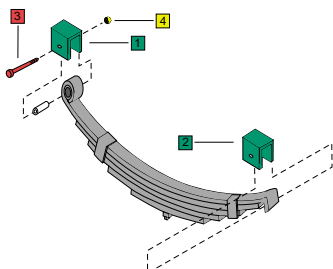
HANGER KIT – SINGLE			
2,000–3,500 lb. Axles – 1¾" Slipper Springs			
Part #	Diagram #	Quantity	Description
4105			Hanger kit, industry # APS2SE
4105-1	1	2	Front hanger
4104-4	2	2	Rear hanger
4105-2	3	2	Bolt, 3" x ½" – 13
4105-3	4	2	Lock nut, ½" – 13



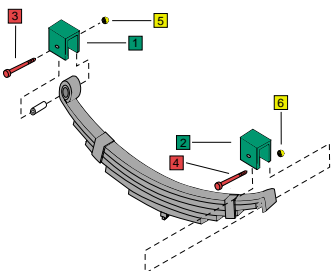
HANGER KIT – SINGLE			
5,200–8,000 lb. Axles – 2" Slipper Springs			
Part #	Diagram #	Quantity	Description
4115-H			Hanger kit, industry # APS10SE
4113-2H	1	2	Front hanger
4113-3H	2	2	Rear hanger
4113-7	3	4	Bolt, 3½" x ⅝" – 18
4101-6	4	4	Lock nut, ⅝" – 18



HANGER KIT – SINGLE			
10,000 lb. General Duty Axles – 2½" Slipper Springs			
Part #	Diagram #	Quantity	Description
APS1025GD			Hanger kit
3000	1	2	Front hanger
4000	2	2	Rear hanger
34412	3	2	Bolt, for eye end 4½" x ¾" – 16
34LN	4	2	Lock nut, for eye end, ¾" – 16

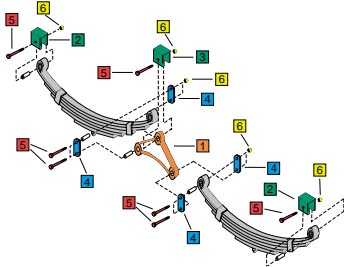


HANGER KIT – SINGLE			
10,000 lb. Heavy Duty and 12,000 lb. Axles – 2½" Slipper Springs			
Part #	Diagram #	Quantity	Description
APS1025HD			Hanger kit
46162-L	1	2	Front hanger
46168-L	2	2	Rear hanger
58412	3	2	Bolt, for eye end 4½" x ⅝" – 18
34412	4	2	Bolt, for slipper end 4½" x ¾" – 16
58LN	5	2	Lock nut, for eye end, ⅝" – 16
34LN	6	2	Lock nut, for slipper end, ¾" – 16

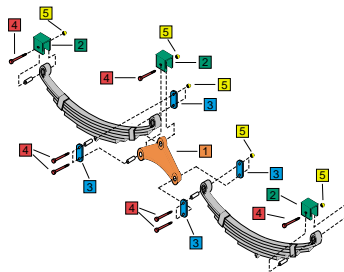


FAST • FRIENDLY • FLEXIBLE

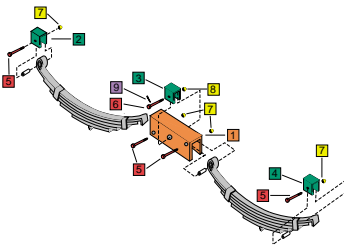
Suspensions



HANGER KIT – TANDEM			
2,000–7,000 lb. Axles – 1 3/4" Double Eye Springs			
Part #	Diagram #	Quantity	Description
4102			Hanger kit, industry # APT3
4101-1	1	2	Equalizer bar
4101-3	2	4	Front and rear hanger
4101-4	3	2	Center hanger
4101-2	4	8	Shackle strap
4101-5	5	14	Bolt, 3" x 3/16" – 18
4101-6	6	14	Lock nut, 3/16" – 18



HANGER KIT – TANDEM			
2,000–7,000 lb. Axles – 1 3/4" Double Eye Springs			
Part #	Diagram #	Quantity	Description
4102-A			Hanger kit, industry # APT5
4101-1	1	2	Equalizer bar
4101-4	2	6	Center, front and rear hanger
4101-2	3	8	Shackle strap
4101-5	4	14	Bolt, 3" x 3/16" – 18
4101-6	5	14	Lock nut, 3/16" – 18



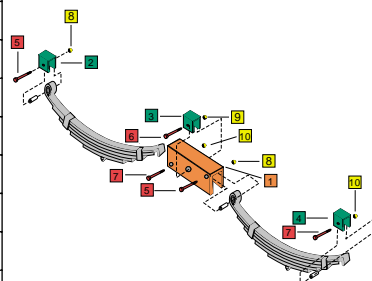
HANGER KIT – TANDEM			
5,200–8,000 lb. Axles – 2" Slipper Springs			
Part #	Diagram #	Quantity	Description
4114-H			Hanger kit, industry # APT10SE36
4113-1	1	2	Equalizer bar
4113-2H	2	2	Front hanger
4113-4H	3	2	Center hanger
4113-3H	4	2	Rear hanger
4113-7	5	8	Bolt, for front, rear and center hangers, 3 1/2" x 3/16" – 18
4113-5	6	2	Bolt, for equalizer, 4 1/2" x 7/8" – 9
4101-6	7	8	Lock nut, front, rear and center hangers, 3/16" – 18
4113-6	8	2	Slotted nut, for equalizer, 7/8" – 9
4755	9	2	Cotter pin, 1/8"

1-800-955-8558

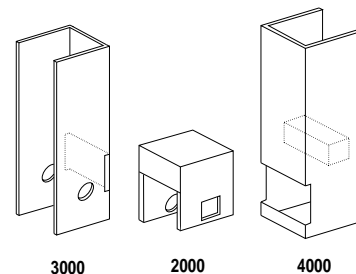
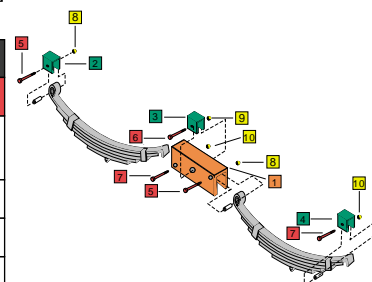
to reach your nearest Polar Service Center

Supersiors

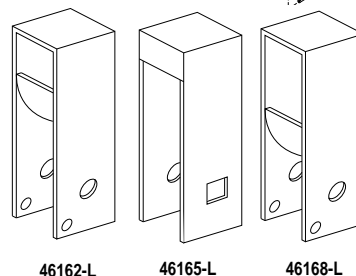
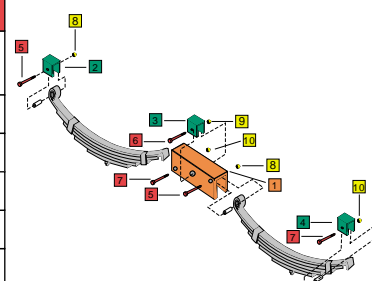
HANGER KIT – TANDEM				
9,000 lb. Axles – 2" Slipper Springs				
Part #	Diagram #	Quantity	Description	
APT92			Hanger kit	
EB-90	1	2	Equalizer bar	
FH-90	2	2	Front hanger	
CH-90	3	2	Center hanger	
RH-90	4	2	Rear hanger	
58400	5	4	Bolt, for eye end, 4" x 5/8" – 18	
100512	6	2	Bolt, for equalizer, 5 1/2" x 1" – 18	
516314	7	4	Bolt, for slipper end, 3 1/4" x 5/8" – 18	
58LN	8	4	Lock nut, for eye end, 5/8" – 18	
100LN	9	2	Lock nut, for equalizer, 1" – 8	
516LN	10	4	Lock nut, for slipper end, 5/8" – 18	



HANGER KIT – TANDEM				
10,000 lb. General Duty Axles – 2 1/2" Slipper Springs				
Part # For 42 1/2" axle centers	Part # For 48 1/2" axle centers	Diagram #	Quantity	Description
APT1025GD4275	APT1025GD4850			Hanger kit
5000GD	6000GD	1	2	Equalizer bar
3000	3000	2	2	Front hanger
2000	2000	3	2	Center hanger
4000	4000	4	2	Rear hanger
34412	34412	5	4	Bolt, for eye end, 4 1/2" x 3/4" – 16
100600	100600	6	2	Bolt, for equalizer, 6" x 1" – 8
34LN	34LN	8	4	Lock nut, for eye end, 3/4" – 16
100LN	100LN	9	2	Lock nut, for equalizer, 1" – 8



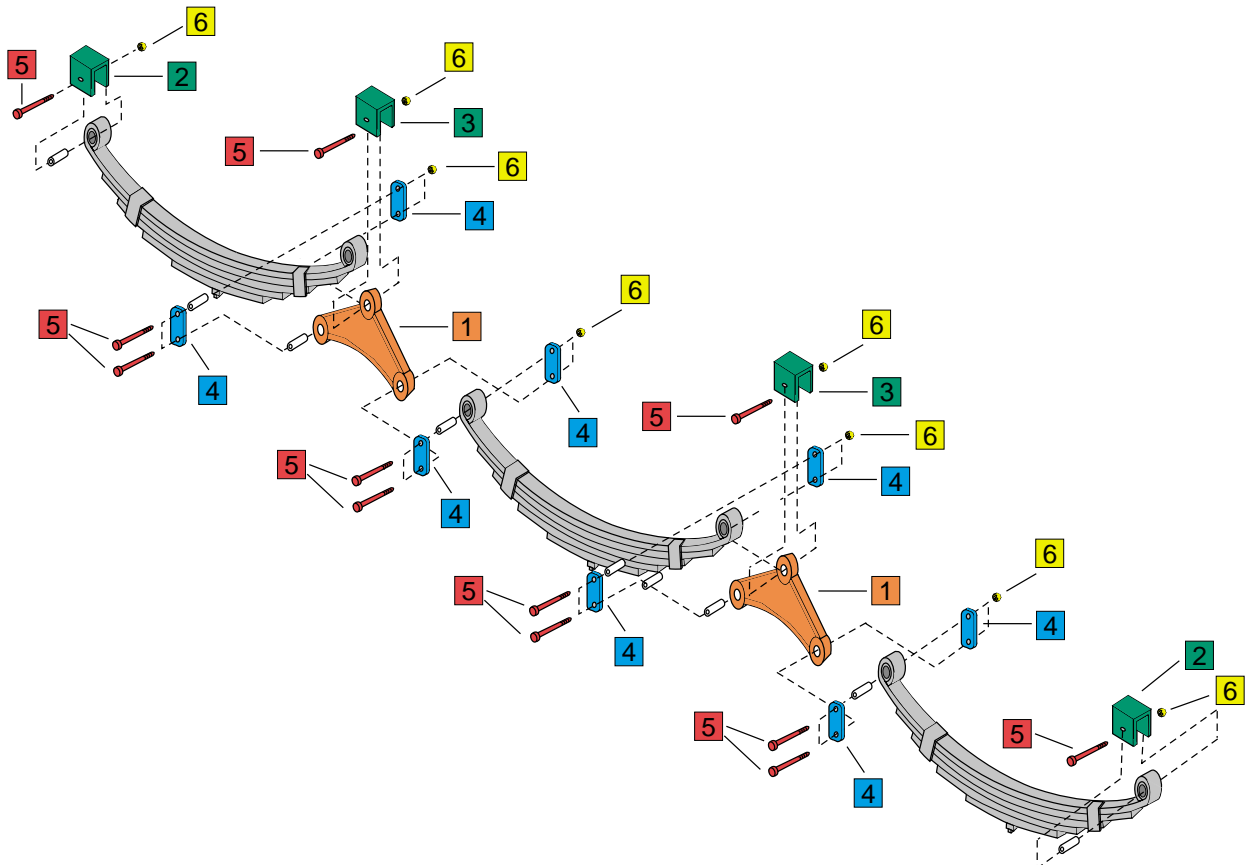
HANGER KIT – TANDEM				
10,000 lb. Heavy Duty and 12,000 lb. Axles – 2 1/2" Slipper Springs				
Part # For 42 1/2" axle centers	Part # For 48 1/2" axle centers	Diagram #	Quantity	Description
APT1025HD4275	APT1025HD4850			Hanger kit
46172	46173-L	1	2	Equalizer bar
46162-L	46162-L	2	2	Front hanger
46165-L	46165-L	3	2	Center hanger
46168-L	46168-L	4	2	Rear hanger
58412	58412	5	4	Bolt, for eye end, 4 1/2" x 5/8" – 18
1186CB	1186CB	6	2	Bolt, for equalizer, 6" x 1 1/8" – 7
34412	34412	7	4	Bolt, for slipper end, 4 1/2" x 3/4" – 16
58LN	58LN	8	4	Lock nut, for eye end, 5/8" – 18
118LN	118LN	9	2	Lock nut, for equalizer, 1 1/8" – 7
34LN	34LN	10	4	Lock nut, for slipper end, 3/4" – 16



Suspensions

HANGER KIT – TRIPLE			
2,000–7,000 lb. Axles – 1¼" Double Eye Springs			
Part #	Diagram #	Quantity	Description
4101			Hanger kit, industry # APTT3
4101-1	1	4	Equalizer bar
4101-3	2	4	Front and rear hanger
4101-4	3	4	Center hanger
4101-2	4	16	Shackle strap
4101-5	5	24	Bolt, 3" x ⅝" – 18
4101-6	6	24	Lock nut, ⅝" – 18

HANGER KIT – TRIPLE			
2,000–7,000 lb. Axles – 1¼" Double Eye Springs			
Part #	Diagram #	Quantity	Description
4101-A			Hanger kit, industry # APTT5
4101-1	1	4	Equalizer bar
4101-4	2/3	8	Front, rear and center hanger
4101-2	4	16	Shackle strap
4101-5	5	24	Bolt, 3" x ⅝" – 18
4101-6	6	24	Lock nut, ⅝" – 18



Supersiors

HANGER KIT – TRIPLE

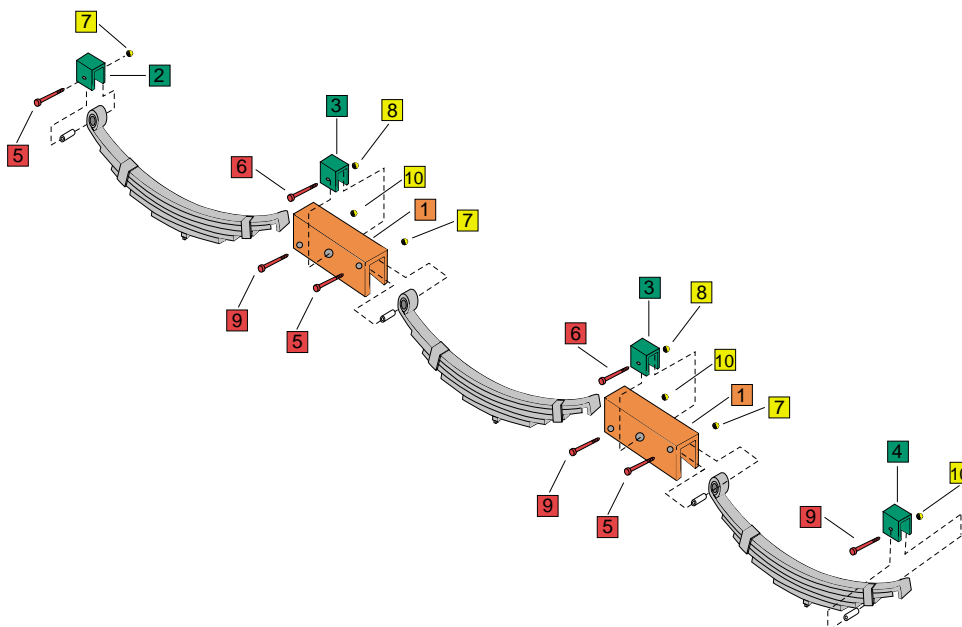
5,200–8,000 lb. Axles – 2" Slipper Springs

Part #	Diagram #	Quantity	Description
4113-H			Hanger kit, industry # APTT10SE36
4113-1	1	4	Equalizer bar
4113-2H	2	2	Front hanger
4113-4H	3	4	Center hanger
4113-3H	4	2	Rear hanger
4113-7	5	12	Bolt, for front and rear hangers, 3½" x ⅝" – 18
4113-5	6	4	Bolt, for equalizer, 4½" x ⅞" – 9
4101-6	7	12	Lock nut, for front and rear hangers, ⅝" – 18
4113-6	8	4	Slotted nut, for equalizer, ⅞" – 9
4755	N/S	4	Cotter pin, ⅛"

HANGER KIT – TRIPLE

9,000 lb. Axles – 2" Slipper Springs

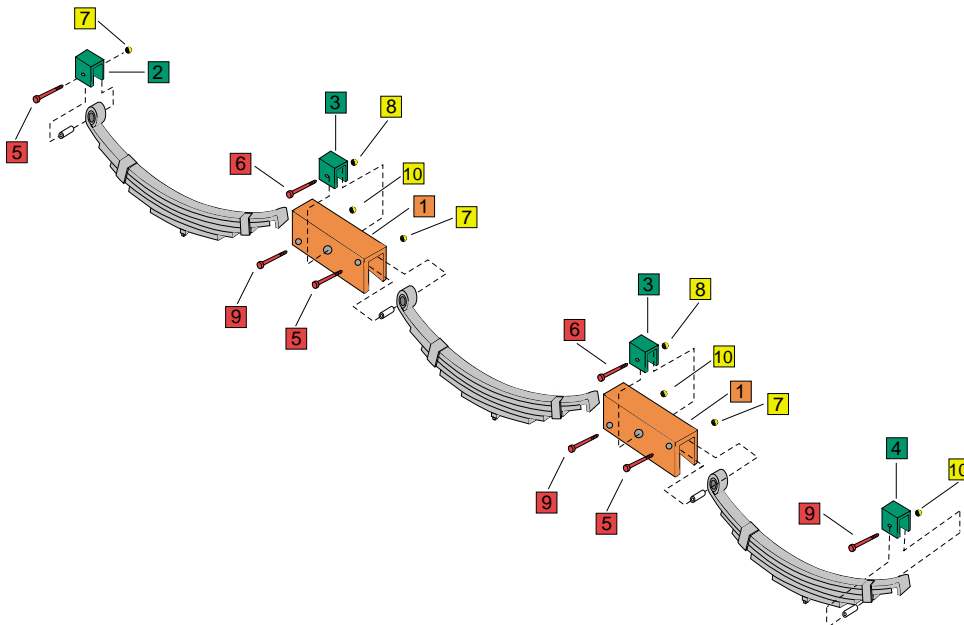
Part #	Diagram #	Quantity	Description
APTT92			Hanger kit
EB-90	1	4	Equalizer bar
FH-90	2	2	Front hanger
CH-90	3	4	Center hanger
RH-90	4	2	Rear hanger
58400	5	6	Bolt, for eye end, 4" x ⅝" – 18
100512	6	6	Bolt, for equalizer, 5½" x 1" – 8
58LN	7	6	Lock nut, for eye end, ⅝" – 18
100LN	8	6	Lock nut, for equalizer, 1" – 8
516314	9	4	Bolt, for slipper end, 3¼" x ⅝" – 18
516LN	10	4	Lock nut, for slipper end, ⅝" – 18



Suspensions

HANGER KIT – TRIPLE				
10,000 lb. General Duty Axles – 2½" Slipper Springs				
Part #	Part #	Diagram #	Quantity	Description
APTT1025GD4275	APTT1025GD4850			Hanger kit
5000GD	6000GD	1	4	Equalizer bar
3000	3000	2	2	Front hanger
2000	2000	3	2	Center hanger
4000	4000	4	4	Rear hanger
34412	34412	5	6	Bolt, for eye end, 4½" x ¾"
100600	100600	6	4	Bolt, for equalizer, 6" x 1"
34LN	34LN	7	6	Lock nut, for eye end, ¾" – 18
100LN	100LN	8	4	Lock nut, for equalizer end, 1" – 18

HANGER KIT – TRIPLE				
10,000 lb. Heavy Duty Axles – 2½" Slipper Springs				
Part #	Part #	Diagram #	Quantity	Description
APTT1025HD4275	APTT1025HD4850			Hanger kit
46172	46173-L	1	4	Equalizer bar
46172-L	46172-L	2	2	Front hanger
46168-L	46168-L	3	4	Center hanger
46165-L	46165-L	4	2	Rear hanger
34412	34412	5	6	Bolt, for eye end, 4½" x ¾"
1186CB	1186CB	6	4	Bolt, for equalizer, 6" x 1½"
34LN	34LN	7	6	Lock nut, for eye end, ¾" – 18
118LN	118LN	8	6	Lock nut, for equalizer end, 1" – 18
58412	58412	9	4	Bolt, for slipper end, 4½" X ¾"
58LN	58LN	10	6	Lock nut, for slipper end, ¾" – 18



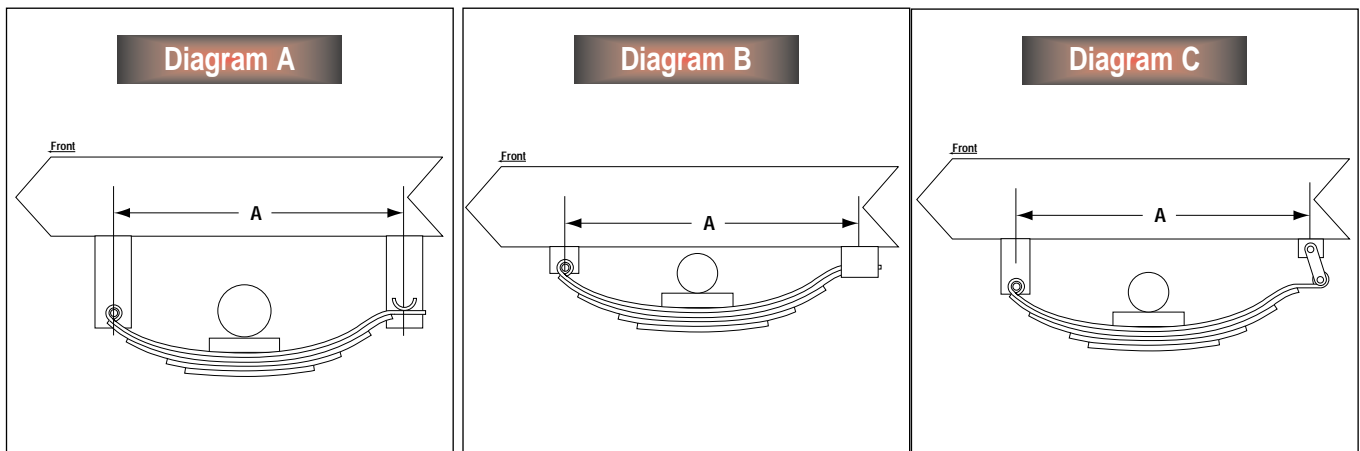
Supersiors

HANGER LOCATION DIMENSIONS

Single Hanger Kits

Using this Hanger Kit		Using this Spring		Diagram Reference	Dim. A
Part #	Industry #	Part #	Industry #		
4103	APS1	4332-18	SW3	See diagram C	24.75"
4103	APS1	4342-24	SW4	See diagram C	24.75"
4103	APS1	4342-17	SW4B	See diagram C	24.75"
4103	APS1	4352-29	SW5	See diagram C	24.75"
4103	APS1	4362-33	SW6	See diagram C	24.75"
4103	APS1	4342-15	SW427	See diagram C	26.50"
4103-L	APS5	4332-18	SW3	See diagram C	24.75"
4103-L	APS5	4342-24	SW4	See diagram C	24.75"
4103-L	APS5	4342-17	SW4B	See diagram C	24.75"
4103-L	APS5	4352-29	SW5	See diagram C	24.75"
4103-L	APS5	4362-33	SW6	See diagram C	24.75"
4103-L	APS5	4342-15	SW427	See diagram C	26.50"
4104	APS1SE	4321-10	WID2	See diagram B	28.50"
4104	APS1SE	4321-5	WIC2	See diagram B	23.00"
4104	APS1SE	4331-7	WIE3	See diagram B	23.50"
4104	APS1SE	4341-17	WIG4	See diagram B	28.50"
4104	APS1SE	4331-15	WIF3	See diagram B	28.50"
4104	APS1SE	4341-10	WIH-4	See diagram B	22.50"
4104	APS1SE	4351-12	WIH5	See diagram B	22.50"
4104	APS1SE	4351-23	WJ5	See diagram B	23.00"
4115	APS10SE	4351-30	5226	See diagram A	25.50"
4115-H	APS10SE	4361-40	E5115	See diagram A	28.00"
APS92	—	4361-45	RA-165	See diagram A	28.00"
APS1025GD	—	43101-56	93161	See diagram A	30.00"
APS1025HD	—	43101-56	93161	See diagram A	30.00"

Note: All dimensions are subject to change without notice.



Suspensions

HANGER LOCATION DIMENSIONS

Tandem Hanger Kits

Using this Hanger Kit		Using this Spring		Diagram Ref.	Dim. A	Dim. B	Dim. C	Dim. D	Dim. E	Dim. F
Part #	Industry #	Part #	Industry #							
4102	APT3	4332-18	SW3	A	29.500"	29.500"	59.000"	33.500"		
4102	APT3	4342-24	SW4	A	29.500"	29.500"	59.000"	33.500"		
4102	APT3	4342-17	SW4B	A	29.500"	29.500"	59.000"	33.500"		
4102	APT3	4352-29	SW5	A	29.500"	29.500"	59.000"	33.500"		
4102	APT3	4362-33	SW6	A	29.500"	29.500"	59.000"	33.500"		
4102	APT3	4342-15	SW427	A	31.500"	31.500"	63.000"	36.500"		
4102-A	APT5	4332-18	SW3	A	29.500"	29.500"	59.000"	33.500"		
4102-A	APT5	4342-24	SW4	A	29.500"	29.500"	59.000"	33.500"		
4102-A	APT5	4342-17	SW4B	A	29.500"	29.500"	59.000"	33.500"		
4102-A	APT5	4352-29	SW5	A	29.500"	29.500"	59.000"	33.500"		
4102-A	APT5	4362-33	SW6	A	29.500"	29.500"	59.000"	33.500"		
4102-A	APT5	4342-15	SW427	A	31.500"	31.500"	63.000"	36.500"		
4114-H	APT10SE36	4351-30	W5226	B	29.750"	29.750"	59.000"	34.500"		
4114-H	APT10SE36	4361-40	E5115	B	32.000"	32.000"	64.000"	36.750"		
APT92	—	4361-45	RA-165	B	34.560"	34.560"	69.120"	42.250"	17.360"	4.870"
APT1025GD4275	—	43101-56	93161	B	36.000"	36.000"	72.000"	42.750"	15.750"	5.500"
APT1025HD4275	—	43101-56	93161	B	36.000"	36.000"	72.000"	42.750"	16.900"	6.500"
APT1025GD4850	—	43101-56	93161	B	38.750"	38.750"	77.500"	48.500"	21.750"	5.500"
APT1025HD4850	—	43101-56	93161	B	38.750"	38.750"	77.500"	48.500"	22.900"	6.500"

Note: All dimensions are subject to change without notice.

Diagram A

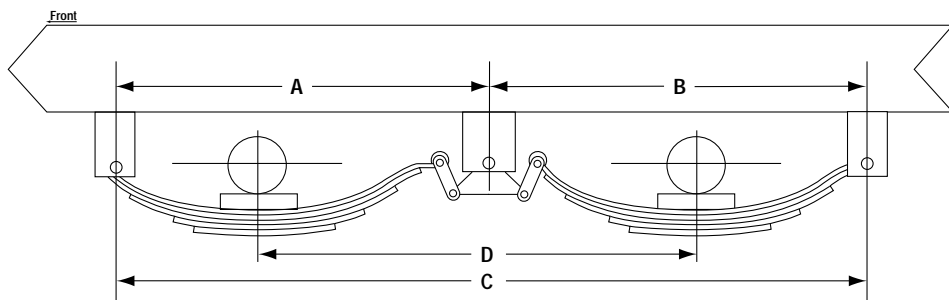
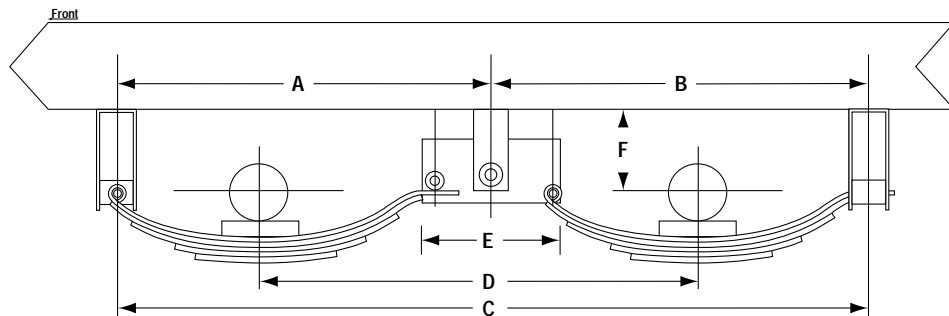


Diagram B



Supersics

HANGER LOCATION DIMENSIONS

Triple Hanger Kits

Using this Hanger Kit Part #	Using this Hanger Kit Industry #	Using this Spring Part #	Using this Spring Industry #	Diagram Ref.	Dim. A	Dim. B	Dim. C	Dim. D	Dim. E	Dim. F
4101	APTT3	4332-18	SW3	A	29.500"	34.000"	29.500"	33.500"		
4101	APTT3	4342-24	SW4	A	29.500"	34.000"	29.500"	33.500"		
4101	APTT3	4352-29	SW5	A	29.500"	34.000"	29.500"	33.500"		
4101	APTT3	4362-33	SW6	A	29.500"	34.000"	29.500"	33.500"		
4101	APTT3	4342-15	SW427	A	31.125"	35.750"	31.125"	36.500"		
4101-A	APTT5	4332-18	SW3	A	29.500"	34.000"	29.500"	33.500"		
4101-A	APTT5	4342-24	SW4	A	29.500"	34.000"	29.500"	33.500"		
4101-A	APTT5	4352-29	SW5	A	29.500"	34.000"	29.500"	33.500"		
4101-A	APTT5	4362-33	SW6	A	29.500"	34.000"	29.500"	33.500"		
4113-H	APTT10SE36	4351-30	E5226	B	29.500"	34.000"	29.500"	103.000"		
4113-H	APTT10SE36	4361-40	E5226	B	32.000"	36.500"	32.000"	96.250"		
APTT92	—	4361-45	RA-165	B	34.560"	35.000"	34.560"	42.250"	17.360"	4.870"
APTT1025GD4275	—	43101-56	93161	B	36.000"	42.750"	36.000"	42.750"	15.750"	5.500"
APTT1025HD4275	—	43101-56	93161	B	36.000"	48.500"	36.000"	48.500"	21.750"	6.500"
APTT1025GD4850	—	43101-56	93161	B	38.750"	42.750"	38.750"	42.750"	16.900"	5.500"
APTT1025HD4850	—	43101-56	93161	B	38.750"	48.500"	38.750"	48.500"	22.900"	6.500"

Note: All dimensions are subject to change without notice.

Diagram A

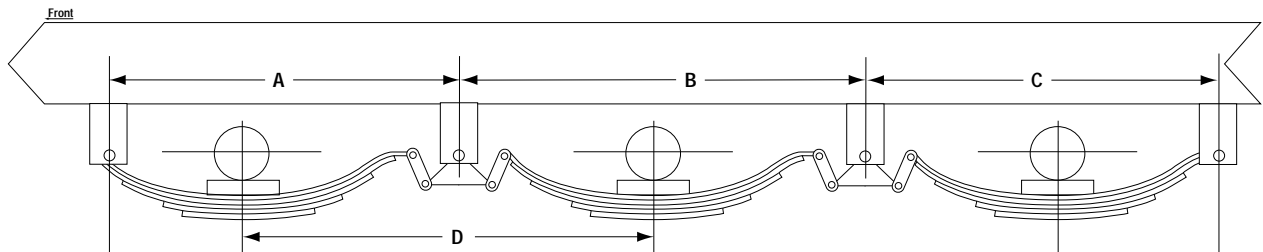
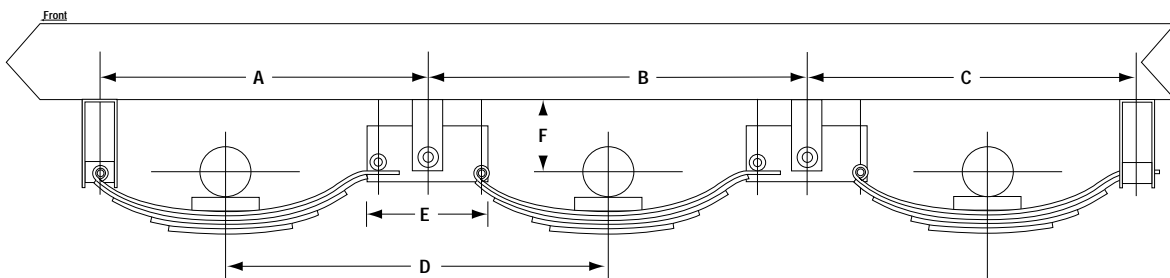
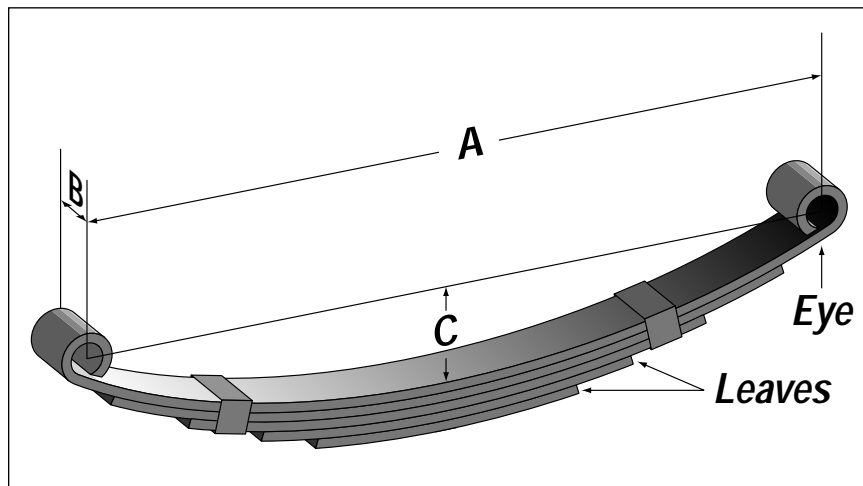


Diagram B



Suspensions

DOUBLE EYE SPRINGS							
Part #	Industry #	Capacity	Leaves	Length (Dim. A)	Width (Dim. B)	Arch Height. (Dim. C)	Eye Diam.
4342-5	93182-02	500 lbs.	4	29"	1.75"	4.5" ± .125"	5/16"
4312-6	SWML	600 lbs.	1	25.25"	1.75"	3" ± .125"	5/16"
4332-8	AWS2	800 lbs.	2	26"	1.75"	4.5" ± .125"	5/16"
4332-10	72-17	1,000 lbs.	3	20.375"	1.75"	3.0625 ± .125"	5/16"
4332-11	AWS3	1,100 lbs.	3	26"	1.75"	4.5" ± .125"	5/16"
4322-12	SW2	1,200 lbs.	2	25.25"	1.75"	3" ± .25"	5/16"
4332-12	SW3B	1,250 lbs.	3	25.25"	1.75"	3" ± .25"	5/16"
4332-13	RD20320	1,300 lbs.	3	20"	1.75"	3.5625" ± .125"	5/16"
4332-13L	93180	1,300 lbs.	3	23.25"	1.75"	3" ± .125"	5/16"
4332-14	SW327-36	1,500 lbs.	3	27"	1.75"	2.75" ± .125"	5/16"
4342-15	SW427	1,500 lbs.	4	27"	1.75"	2.75" ± .125"	5/16"
4342-16	AWS4	1,600 lbs.	4	26"	1.75"	4.5" ± .125"	5/16"
4342-17	SW4B	1,750 lbs.	4	25.25"	1.75"	3" ± .25"	5/16"
4342-17-27	SW427-36	1,750 lbs.	4	27"	1.75"	2.75" ± .125"	5/16"
4352-18	AWS5	1,800 lbs.	5	26"	1.75"	4.5" ± .125"	5/16"
4332-18	SW3	1,850 lbs.	3	25.25"	1.75"	3" ± .25"	5/16"
4362-22	AWS6	2,200 lbs.	6	26"	1.75"	4.5" ± .125"	5/16"
4342-24	SW4	2,400 lbs.	4	25.25"	1.75"	3" ± .25"	5/16"
4372-26	AWS7	2,600 lbs.	7	26"	1.75"	4.5" ± .125"	5/16"
4352-29	SW5	2,900 lbs.	5	25.25"	1.75"	3" ± .25"	5/16"
4362-30	60627	3,000 lbs.	6	27"	1.75"	3.25 ± .125"	5/16"
72-040	TE30	3,000 lbs.	1	25.25"	1.75"	3" ± .25"	5/16"
4382-30	AWS8	3,000 lbs.	8	26"	1.75"	4.5" ± .25"	5/16"
4342-30	MR4	3,000 lbs.	4	26"	1.75"	4.5" ± .25"	5/16"
4362-33	SW6	3,300 lbs.	6	25.25"	1.75"	3" ± .25"	5/16"

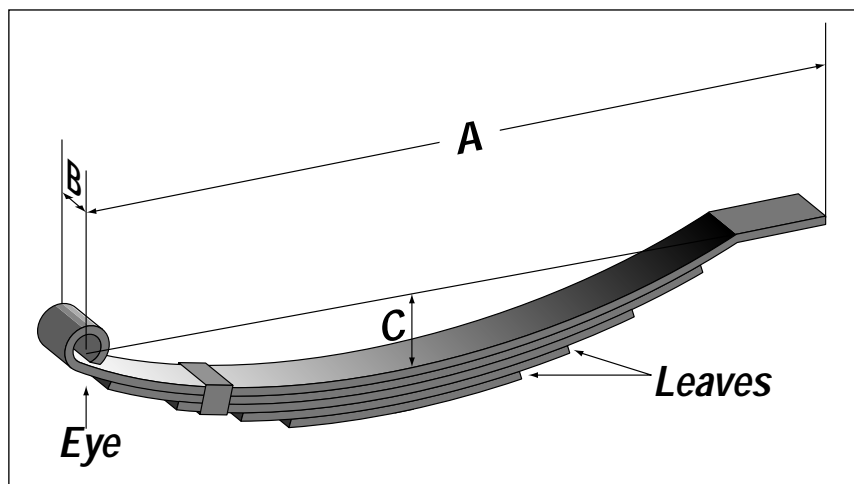


Double Eye Spring

Supersiors

SLIPPER SPRINGS

Part #	Industry #	Capacity	Leaves	Length (Dim. A)	Width (Dim. B)	Arch Height. (Dim. C)	Eye Diam.
4321-3	WA2	300 lbs.	2	24"	1.75"	4" ± .25"	5/16"
4321-5	WC2	500 lbs.	2	24"	1.75"	4" ± .25"	5/16"
4331-7	WE3	750 lbs.	3	24"	1.75"	4" ± .25"	5/16"
4321-10	WD2	1,000 lbs.	2	29"	1.75"	4.5" ± .125"	5/16"
4341-10	WH4	1,000 lbs.	4	24"	1.75"	4" ± .25"	5/16"
4351-12	WI5	1,250 lbs.	5	24"	1.75"	4" ± .25"	5/16"
27061RC	—	1,250 lbs.	4	24.625"	1.75"	3.125" ± .125"	5/16"
4331-15	WF3	1,500 lbs.	3	29"	1.75"	4.5" ± .125"	5/16"
C3	—	1,500 lbs.	3	26.25"	1.75"	3.50" ± .125"	5/16"
27062RC	—	1,550 lbs.	5	24.625"	1.75"	3.125" ± .125"	5/16"
4341-17	WG4	1,750 lbs.	4	29"	1.75"	4.5" ± .125"	5/16"
C4	—	1,850 lbs.	4	26.25"	1.75"	3.50" ± .125"	5/16"
27063RC	—	1,875 lbs.	6	24.625"	1.75"	3.125" ± .125"	5/16"
4351-23	WJ5	2,300 lbs.	5	24"	1.75"	4" ± .25"	5/16"
C5	—	2,350 lbs.	5	26.125"	1.75"	3.125" ± .125"	5/16"
803T3	72-30	2,000 lbs.	4	26.125"	2"	3"	5/16"
1003T3	72-31	2,500 lbs.	4	26.125"	2"	3" ± .125"	5/16"
4351-30	W5226	3,000 lbs.	5	27"	2"	3.5" ± .125"	5/16"
1203T3	72-32	3,500 lbs.	5	26.125"	2"	3" ± .125"	5/16"
4361-40	E5115	4,000 lbs.	6	29.5"	2"	3.5" ± .125"	5/16"
1403T3	72-33	4,000 lbs.	6	26.125"	2"	3" ± .125"	5/16"
4361-45	RA-165	4,500 lbs.	6	30"	2"	3.875" ± .125"	5/8"
43101-56	93161	5,000 lbs.	5	32.25"	2.5"	4" ± .125"	3/4"
4361-60	8132	6,000 lbs.	6	32.25"	2.5"	4" ± .125"	3/4"

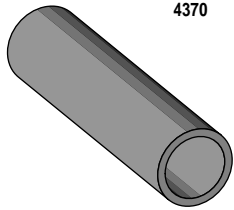


Slipper Spring

Supersiors

SPRING BUSHINGS

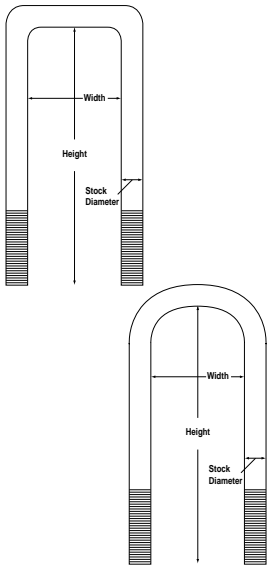
Part #	ID	OD	Length	Material
4370	$\frac{9}{16}$ "	$1\frac{1}{16}$ "	$1\frac{3}{4}$ "	Nylon
4370-S	$\frac{9}{16}$ "	$1\frac{3}{16}$ "	$1\frac{3}{4}$ "	Nylon
4371	$\frac{1}{2}$ "	$1\frac{1}{16}$ "	$1\frac{3}{4}$ "	Nylon
4372	$\frac{9}{16}$ "	$\frac{7}{8}$ "	$1\frac{3}{4}$ "	Nylon
4373	$\frac{1}{2}$ "	$\frac{7}{8}$ "	$1\frac{3}{4}$ "	Nylon
4113-1B	$\frac{7}{8}$ "	$1\frac{1}{16}$ "	3"	Nylon
91413	$\frac{3}{4}$ "	$1\frac{3}{4}$ "	$2\frac{3}{4}$ "	Rubber



4370

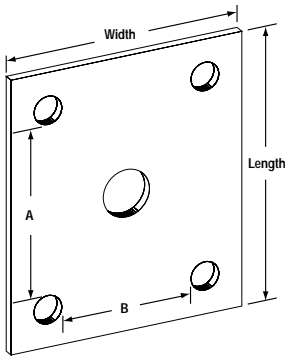
AXLE U-BOLTS

Part #	Style	Height	Width	Stock Diameter	Zinc Plated
4205-1	Round	$4\frac{3}{8}$ "	$1\frac{3}{4}$ "	$\frac{3}{8}$ "	No
4205-1ZP	Round	$4\frac{3}{8}$ "	$1\frac{3}{4}$ "	$\frac{3}{8}$ "	Yes
4202-1	Round	$5\frac{1}{2}$ "	$2\frac{3}{8}$ "	$\frac{1}{2}$ "	No
4202-1ZP	Round	$5\frac{1}{2}$ "	$2\frac{3}{8}$ "	$\frac{1}{2}$ "	Yes
4201-1	Round	7"	3"	$\frac{9}{16}$ "	No
4201-1ZP	Round	7"	3"	$\frac{9}{16}$ "	Yes
4200-1	Round	$7\frac{3}{4}$ "	$3\frac{1}{2}$ "	$\frac{9}{16}$ "	No
UB400	Round	8"	4"	$\frac{5}{8}$ "	No
UB-95B	Round	10"	5"	$\frac{5}{8}$ "	No
4206-1	Square	$4\frac{1}{2}$ "	$1\frac{3}{4}$ "	$\frac{3}{8}$ "	No
4206-1ZP	Square	$4\frac{1}{2}$ "	$1\frac{3}{4}$ "	$\frac{3}{8}$ "	Yes
4203-1	Square	$5\frac{1}{4}$ "	2"	$\frac{9}{16}$ "	No
4203-1ZP	Square	$5\frac{1}{2}$ "	2"	$\frac{1}{2}$ "	Yes
4203-1LZP	Square	$6\frac{1}{2}$ "	2"	$\frac{1}{2}$ "	Yes
4206-1L	Square	$6\frac{1}{2}$ "	2"	$\frac{9}{16}$ "	No
4290-1L	Square	$6\frac{3}{4}$ "	$2\frac{1}{2}$ "	$\frac{9}{16}$ "	No



U-BOLT PLATES

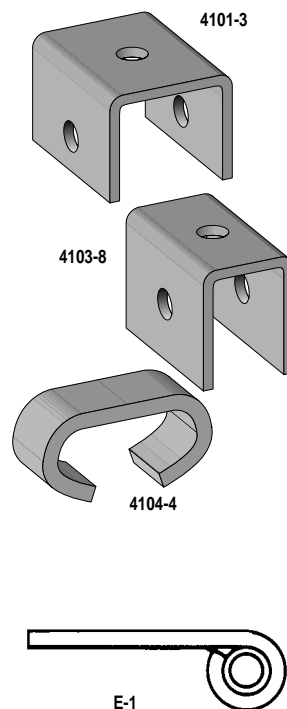
Part #	Length	Width	Center Hole Diam.	Outside Hole Diam.	U Bolt Diam.	Axle Size Dim. A	Spring Size Dim. B
4205-3	$3\frac{1}{4}$ "	$3\frac{1}{4}$ "	$\frac{5}{8}$ "	$\frac{7}{32}$ "	$\frac{3}{8}$ "	$1\frac{3}{4}$ "	$1\frac{3}{4}$ "
4205-3ZP	$3\frac{1}{4}$ "	4"	$\frac{5}{8}$ "	$\frac{7}{32}$ "	$\frac{3}{8}$ "	$1\frac{3}{4}$ "	$1\frac{3}{4}$ "
4202-3	6"	4"	$2\frac{1}{32}$ "	$\frac{9}{16}$ "	$\frac{1}{2}$ "	$2\frac{3}{8}$ "	$1\frac{3}{4}$ "
4202-3ZP	6"	4"	$2\frac{1}{32}$ "	$\frac{9}{16}$ "	$\frac{1}{2}$ "	$2\frac{3}{8}$ "	$1\frac{3}{4}$ "
4201-3	6"	4"	$2\frac{1}{32}$ "	$\frac{5}{8}$ "	$\frac{9}{16}$ "	3"	2"
4201-3ZP	6"	4"	$2\frac{1}{32}$ "	$\frac{5}{8}$ "	$\frac{9}{16}$ "	3"	2"
4200-3	$6\frac{3}{4}$ "	4"	$2\frac{1}{32}$ "	$\frac{5}{8}$ "	$\frac{9}{16}$ "	$3\frac{1}{2}$ "	2"
TP-400	$7\frac{5}{8}$ "	$4\frac{1}{2}$ "	$2\frac{1}{32}$ " x $1\frac{21}{32}$ "	$1\frac{1}{16}$ "	$\frac{5}{8}$ "	4"	2"
4203-3	6"	4"	$2\frac{1}{32}$ "	$\frac{5}{8}$ "	$\frac{9}{16}$ "	2"	2"
4203-3ZP	6"	4"	$2\frac{1}{32}$ "	$\frac{9}{16}$ "	$\frac{1}{2}$ "	2"	2"
4290-3	$5\frac{3}{4}$ "	$3\frac{3}{4}$ "	$\frac{5}{8}$ "	$\frac{5}{8}$ "	$\frac{9}{16}$ "	$2\frac{1}{2}$ "	$1\frac{3}{4}$ "
10625	8"	5"	$\frac{13}{16}$ "	$\frac{13}{16}$ "	$\frac{5}{8}$ "	5"	$2\frac{1}{2}$ "
250039	8"	5"	$\frac{13}{16}$ "	$\frac{13}{16}$ "	$\frac{3}{4}$ "	5"	$2\frac{1}{2}$ "



Supersiors

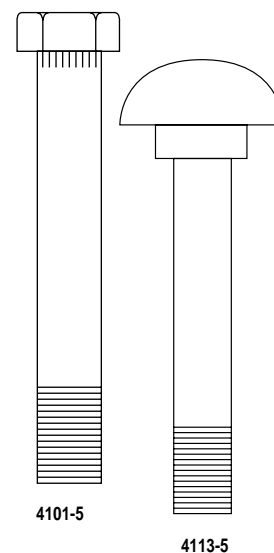
HANGERS

Part #	Application	Spring Width	Top to Hole Center	Bolt Hole
4104-4	Rear C-Clip	1¾"	n/a	n/a
4105-1	Front	1¾"	1½"	½"
4103-8	Rear Single	1¾"	1¾"	⅝"
E-1	Rear Single Eye Plate	1¾"	n/a	⅝"
4101-3	Front / Rear	1¾"	1¾"	⅝"
11-5918	Front / Rear	1¾"	2¾"	⅝"
4101-4	Front / Center / Rear	1¾"	3¼"	⅝"
4101-4L	Front / Center / Rear	1¾"	4¼"	⅝"
RH-1	Center	1¾"	4¾"	⅝"
11-5919	Center	1¾"	5⅝"	¾"
4113-2H	Front	2"	3½"	⅝"
4113-3H	Rear	2"	5"	⅝"
4113-4H	Center	2"	3½"	⅞"
FH-90	Front 9K	2"	5"	⅝"
CH-90	Center 9K	2"	4½"	1"
RH-90	Rear 9K	2"	6⅝"	¾"
3000	Front 10KGD	2½"	5⅝"	¾"
2000	Center 10KGD	2½"	1¾"	1"
4000	Rear 10KGD	2½"	n/a	n/a
46162-L	Front 10KHD	2½"	6⅝"	¾"
46165-L	Center 10KHD	2½"	6⅝"	1½"
46168-L	Rear 10KHD	2½"	6⅝"	⅝"

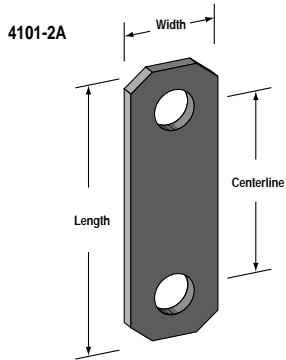


BOLTS

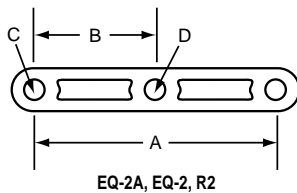
Part #	Description	Description	Length
516314	Shackle bolt	⅝" - 18	3¼"
4105-2	Shackle bolt	½" - 13	3"
4101-5	Shackle bolt	⅝" - 18	3"
4101-5W	Shackle bolt, with grease zerk	⅝" - 18	3"
4113-7	Shackle bolt	⅝" - 18	3½"
4113-7W	Shackle bolt, with grease zerk	⅝" - 18	3½"
58400	Shackle bolt	⅝" - 18	4"
58412	Shackle bolt	⅝" - 18	4½"
4113-9W	Shackle bolt, with grease zerk	¾" - 16	3½"
34412	Shackle bolt	¾" - 16	4½"
4113-5W	Equalizer bolt, with grease zerk	⅞" - 9	4⅞"
4113-5	Equalizer bolt, with hole for cotter pin	⅞" - 9	4¾"
100512	Equalizer bolt	1" - 8	5½"
100600	Equalizer bolt	1" - 8	6"
1186CB	Equalizer bolt	1½" - 7	6"



Supersiors

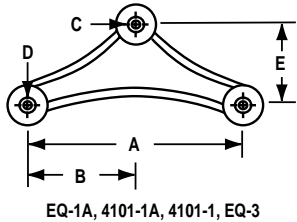


SHACKLE STRAPS				
Part #	Length	Width	Centerline	Material
4101-2C	3"	1 1/4"	2 1/4"	Plain
4101-2CG	3"	1 1/4"	2 1/4"	Galvanized
4101-2CZP	3"	1 1/4"	2 1/4"	Zinc
4101-2A	3 3/4"	1 1/4"	2 5/8"	Plain
4101-2AG	3 3/4"	1 1/4"	2 5/8"	Galvanized
4101-2AZP	3 3/4"	1 1/4"	2 5/8"	Zinc
4101-2	4 3/8"	1 1/4"	3 1/8"	Plain
4101-2BZP	4 3/8"	1 1/4"	3 1/8"	Zinc

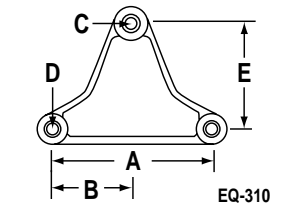


EQUALIZER BARS - STRAIGHT						
Part #	A	B	C	D	E	Width
EQ-2A	8"	4"	5/16"	5/16"	n/a	1 3/4"
EQ-2	8"	4"	5/16"	3/4"	n/a	1 3/4"
EQ-R2	5 1/2"	2 3/4"	5/16"	5/16"	n/a	1 3/4"

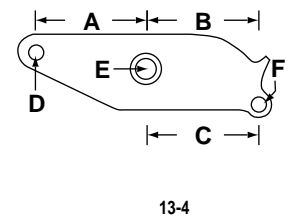
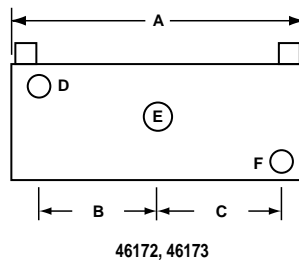
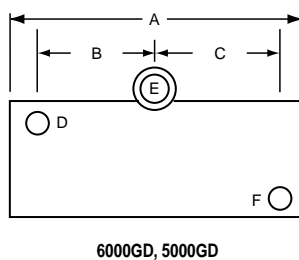
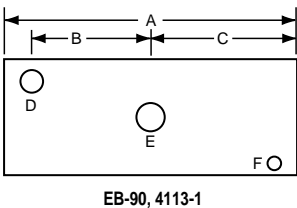
Note: EQ-1A and .EQ-310 are available in galvanized.



EQUALIZER BARS - CURVED						
Part #	A	B	C	D	E	Width
EQ-1A	6 1/4"	3 1/8"	5/16"	5/16"	2 1/2"	1 3/4"
4101-1A	6 1/4"	3 1/8"	3/4"	5/16"	2"	1 3/4"
4101-1	7 3/4"	3 3/8"	5/16"	5/16"	2 7/8"	1 3/4"
EQ-3	7 3/4"	3 3/8"	3/4"	5/16"	2 7/8"	1 3/4"
EQ-310	6"	3"	5/16"	5/16"	4"	1 3/4"



EQUALIZER BARS - FOR SLIPPER SPRINGS						
Part #	A	B	C	D	E	F
4113-1	12"	4 3/4"	4 5/8"	5/16"	7/8"	5/16"
46172	16 5/8"	7 1/4"	6 3/4"	8 3/4"	1 1/8"	5/8"
5000GD	15 5/8"	6 7/8"	7 7/8"	3/4"	1"	N/A
6000GD	21 1/4"	9"	10 7/8"	3/4"	1"	N/A
46173	22 7/8"	10 1/4"	9 3/4"	11 3/4"	1 1/8"	5/8"
EB-90	13 1/2"	5 5/16"	6 7/16"	2 1/2"	1"	3/8"
13-4	4 5/8"	5 1/2"	5"	5/16"	7/8"	5/16"

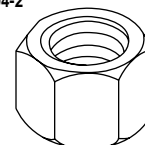


Supersiors

HEX NUTS

Part #	ID	Description
4204-2	$\frac{3}{8}$ " - 16	Hex nut
4204-2ZP	$\frac{3}{8}$ " - 16	Hex nut, zinc plated
4201-2	$\frac{1}{2}$ " - 20	Hex nut
4201-2ZP	$\frac{1}{2}$ " - 13	Hex nut, zinc plated, coarse thread
4201-2FZP	$\frac{1}{2}$ " - 20	Hex nut, zinc plated, fine thread
4203-2	$\frac{5}{16}$ " - 18	Hex nut
4203-2ZP	$\frac{5}{16}$ " - 18	Hex nut, zinc plated
58HN	$\frac{5}{8}$ " - 18	Hex nut
34HN	$\frac{3}{4}$ " - 18	Hex nut

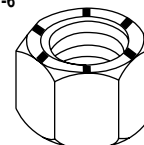
4204-2



LOCK NUTS

Part #	ID	Threads
516LN	$\frac{5}{16}$ "	18
4105-3	$\frac{1}{2}$ "	13
4101-6	$\frac{9}{16}$ "	18
58LN	$\frac{5}{8}$ "	18
34LN	$\frac{3}{4}$ "	16
78LN	$\frac{7}{8}$ "	9
100LN	1"	8
118LN	1 $\frac{1}{8}$ "	7

4101-6



4113-6



CASTLE NUTS

Part #	ID	Threads
4113-6	$\frac{7}{8}$ "	9

LOCK WASHERS

Part #	ID	Description
4204-4	$\frac{3}{8}$ "	Lock washer
4204-4ZP	$\frac{3}{8}$ "	Lock washer, zinc plated
4201-4	$\frac{1}{2}$ "	Lock washer
4201-4ZP	$\frac{1}{2}$ "	Lock washer, zinc plated
4203-4	$\frac{5}{16}$ "	Lock washer
4203-4ZP	$\frac{5}{16}$ "	Lock washer, zinc plated
58LW	$\frac{5}{8}$ "	Lock washer
34LW	$\frac{3}{4}$ "	Lock washer

4204-4



TIE BOLTS

Part #	Description	Size
4399-001	Tie bolt without nut	$\frac{5}{16}$ " x 1 $\frac{1}{2}$ "
4399-002	Tie bolt without nut	$\frac{3}{8}$ " x 2 $\frac{1}{4}$ "
4399-003	Tie bolt without nut	$\frac{1}{2}$ " x 3"
4399-001-NUT	Nut for tie bolt	$\frac{5}{16}$ "
4399-002-NUT	Nut for tie bolt	$\frac{3}{8}$ "
4399-003-NUT	Nut for tie bolt	$\frac{1}{2}$ "

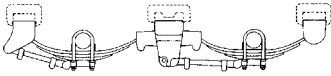
4399-001



Suspensions



A long standing leader of heavy duty suspensions, Hutchins Industries manufactures a complete line of spring type suspensions. We offer the 9700 series in standard configurations with availability to specialized systems. Contact your nearest branch for technical specifications and information.

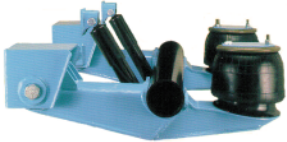


HEAVY DUTY SUSPENSION – HUTCH								
Part #	Hanger Type	Number of Axles	Axle Configuration	Axle Center	Hanger Style	Type Axle	Seat Height	Spring Type
H9700HUS-354	FAB	Single	US	N/A	UN/MT	5" RD	¾"	354-00
H9700TUS-354	FAB	Tandem	US	49"	UN/MT	5" RD	¾"	354-00
H9700ADD-354	FAB	Add-On*	US	49"	UN/MT	5" RD	¾"	354-00
HAP-101-00	FAB	Single	US	N/A	UN/MT	5" RD	¾"	Without
HAP-201-00	FAB	Add-On*	US	49"	UN/MT	5" RD	¾"	Without
10521-00	Bump-out block for Hutch triaxle suspension (need 4 for triaxle)							

* Used to convert single into tandem or tandem into triple.



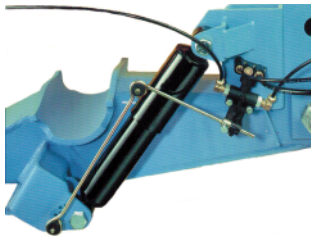
RIDEWELL
SUSPENSIONS



2407744D106

Air suspensions offer a ride unequaled by spring type suspensions. We offer the Ridewell monpivot, underslung series along with automatic or manual height control kits. Contact your nearest branch for technical specifications, axle requirements and information.

AIR SUSPENSIONS – RIDEWELL AIR-RIDE						
Part #	Maximum Capacity	Axle Size	Ride Height	Axle Travel		Minimum Axle Spacing
				Up	Down	
2407709D001	15,000	5" X .44"	Min: 5½" Max: 6"	2½" 3"	3½" 3"	40"
2407744D106	25,000	5" X .62"	Min: 6½" Max: 7"	2¾" 3¼"	3¾" 3¼"	44"

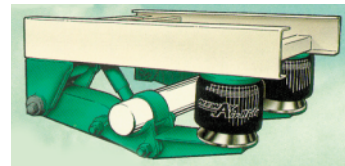


1207423C109 – Installed

AIR CONTROL KITS – RIDEWELL	
Part #	Description
1207423C100	Automatic, for trailers with air brakes (or air tank and supply)
1227709C000	Manual, for trailers with hydraulic or electric brakes (12-Volt air control, for trailers without air supply)



Neway air suspension systems combine field proven durability with the greatest possible weight savings. We offer a full line of Neway air suspensions for trucks and trailers, including pusher and tag axle applications.



TRAILER PRODUCTS, INC.

a POLAR company

POLAR
SERVICE CENTERS

